

BRAUER®

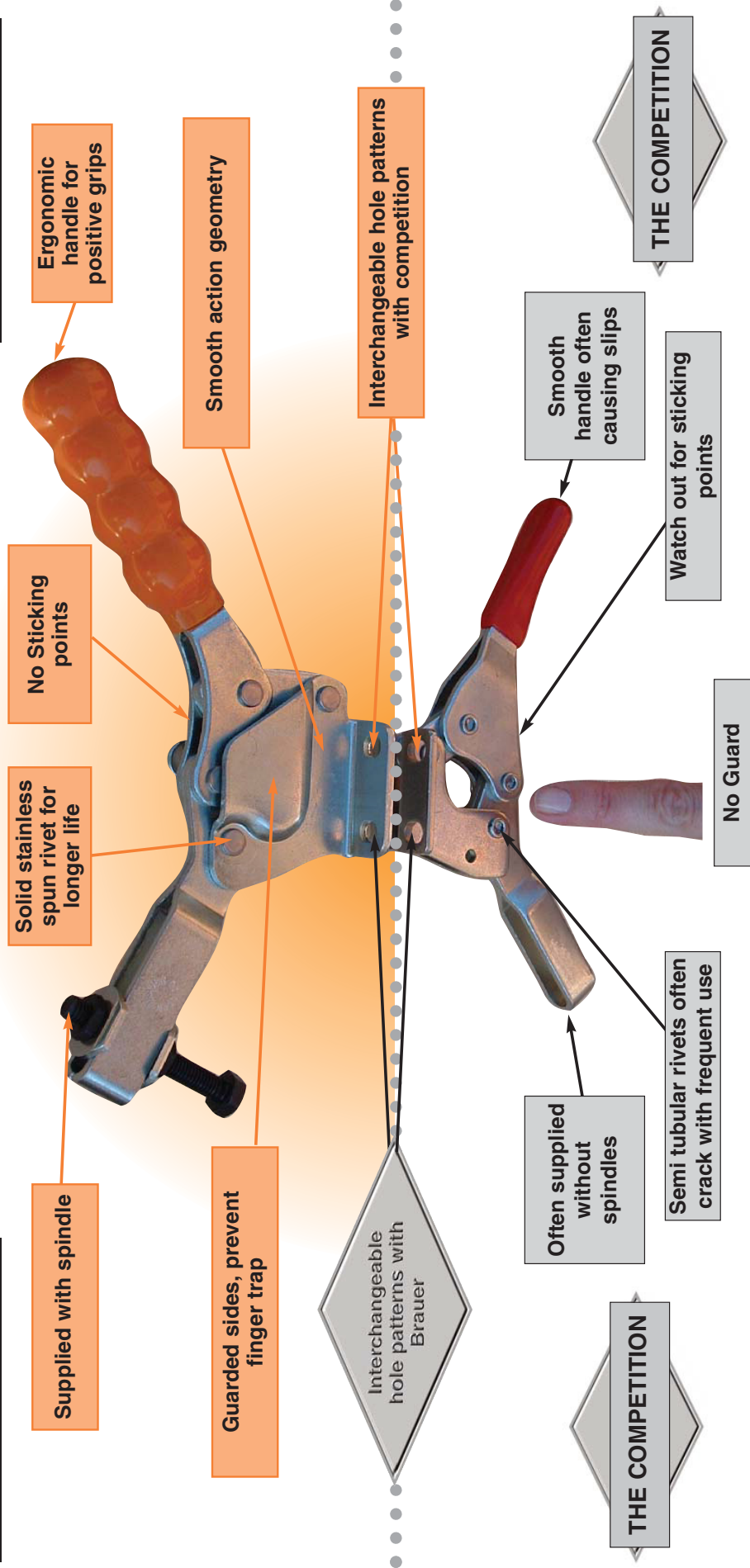
CLAMPING PRODUCTS



BRAUER CLAMPS USA
www.brauerclampsusa.com

BRAUER®

BRAUER®



"EXAMPLE" CROSS OVER CHART	
BRAUER	COMPETITION
H150/2B	217U
H250/2B	227U
H75/2B	213U
V250/2B	207U
V150/2B	202U

Interchangeable hole patterns with all major makes of clamps, on both horizontal and vertical ranges.

BRAUER CLAMPS USA INC
 25269 Mound Road Warren,
 Michigan USA 48091
 Tel: (586) 427-5304
 Fax: (586) 427-5305
 sales@brauerclampsusa.com
 www.brauerclampsusa.com

Full Excel Cross-over chart available from
 web: www.brauerclampsusa.com or by email: sales@brauerclampsusa.com

BRAUER®

25269 MOUND ROAD WARREN MICHIGAN USA 48091

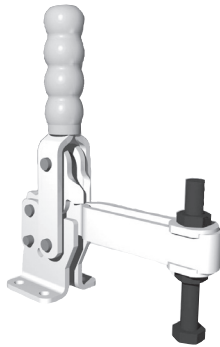
TELEPHONE: (586) 427-5304 FAX: (586) 427-5305 E-MAIL: sales@brauerclampsusa.com

www.brauerclampsusa.com

www.brauer.co.uk

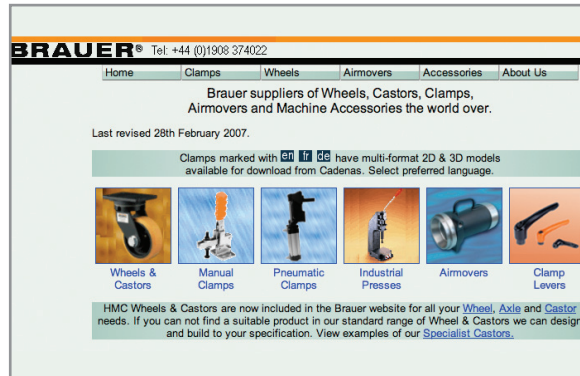
CAD FORMATS FOR BRAUER CLAMPS

The Brauer range of clamping products are available for design engineers in a number of CAD formats direct from:
www.brauerclampsusa.com.



3D:

- AutoCad (dwg)
- ACIS (.sat)
- Iges
- Catia v4
- Catia v5
- MDT (dwg)
- STEP
- PARACAD
- Unigraphics
- & in many more packages



Web Home Page

SPECIAL OR CUSTOM MADE PRODUCTS

If none of the standard products shown in this catalogue meets your needs, our engineers are available to modify a standard clamp or to work with you in developing a design to suit your need.

COMMITTED TO: • QUALITY • INNOVATION • SERVICE

BRAUER CLAMPING PRODUCTS ARE MANUFACTURED IN MILTON KEYNES, ENGLAND

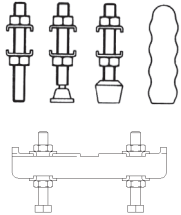
© HMC Brauer • The mark 'BRAUER' is a registered trade mark of HMC Brauer.

The 'Orange Grip' is a registered trade mark of HMC Brauer. No part of this publication may be reproduced in any form (including photocopying or storing in any medium by electronic means) without the written permission of HMC Brauer. HMC Brauer reserves the right to change the design or specification of the products shown in this catalogue without prior notification.

TABLE OF CONTENTS

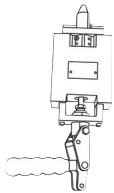
TABLE OF CONTENTS	2-3
INTRODUCTION	4
TECHNICAL INFORMATION	5
INDEX	31

ACCESSORIES 18, 22 & 25-30



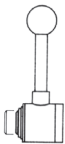
Clamp Levers	29-30	Plastic Grips	25
Flanged Washers	26	Plastic Spindle Covers	28
Front Mounting Brackets	26	Setscrews	27
Mounting Brackets	26	Spindle Retainers	28
Neoprene Setscrew Covers	28	Stroke Sensing Kit	22
Neoprene Spindle Pads	28	Swivel Foot Spindles	27
Neoprene Tipped Spindles	27	VA Series Base Accessory	26
P Series Base Accessory	18	VA Series Grip	25
Plain Spindles	27	VA Series Handle	25
		VA S and T Series Arm Accessory	25

BODY & PIN LOCATION CLAMPS 10



BC25.0	10	PC25.0	10
BC40.0	10	PC35.0	10
		PC40.0	10

CAM PUSH/CAM PULL CLAMPS 22



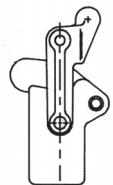
CP1005	22
CP1006	22
CP1007	22
CP1008	22

HEAVY-DUTY CAM CLAMPS 23



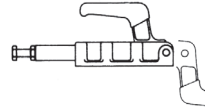
CP1500, CP1500L	23	CR5000	23
CP2000, CP2000L	23	CS300	23
CP3000, CP3000L	23	CS800	23
CR4000	23	CS1200	23

HEAVY-DUTY CLAMP MECHANISMS 11-12



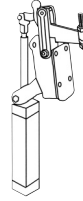
VA300S, VA3002S		VA1200S, VA1200T	11
VA300T	11	VA1200TD	12
VA700S, VA700T	11	VA2400S, VA2400T	11
VA700TD	12		

HEAVY-DUTY & LONG-HANDLED PUSH-PULL CLAMPS 17



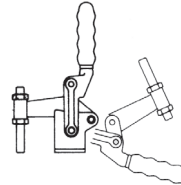
P600, P600L	17
P1200, P1200L	17
P2500, P2500L	17
P5000, P5000L	17

HEAVY-DUTY PNEUMATIC TOGGLE CLAMPS 20



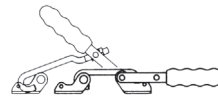
VA300BX	20
VA700CX	20
VA1200CX	20
VA2400CX	20

HEAVY-DUTY VERTICAL CLAMPS 11-13



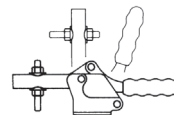
VA300/1B, VA3002B	12	VA1200/1A	13
VA300/2BT	11	VA1200/2C	13
VA700/1A	13	VA2400/1A	13
VA700/2C	13	VA2400/2C	13

HOOK CLAMPS 16



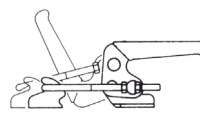
LH200, LH200SS	16
LH400, LH400SS	16
LH700, LH700SS	16

HORIZONTAL CLAMPS 13-15



H50/1B, H50/2B		H250/2A, H250/2AL	14
H50/2BSS	14	H250/1B, H250/2B	14
H50/2C	15	H300/2B	14
H75/1B, H75/1BSS, H75/2B, H75/2BSS	14	H350/1A	13
H75/1C, H75/2C	15	H350/2A	14
H100/2B	14	H350/1B, H350/2B	14
H150/1B, H150/1BSS, H150/2B, H150/2BSS	14	H450/1A	13
H150/1C, H150/2C	15	H450/2A	14
H200/2B	14	H450/1B, H450/2B	14
H250/1A, H250/1AL	13	H700	14

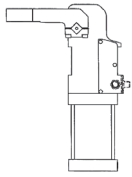
LATCH CLAMPS - HORIZONTAL & VERTICAL 16



LU200H, LU200HSS	16	LU200V, LU200VSS	16
LU400H, LU400HSS	16	LU400V, LU400VSS	16
LU700H, LU700HSS	16	LU700V, LU700VSS	16
LU2000H	16		
LU4000H	16		

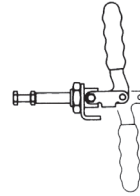
SS = Stainless steel version

PNEUMATIC POWER CLAMPS 19



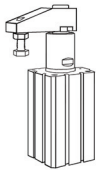
BPC 25	19
BPC 32	19

PUSH-PULL CLAMPS 17-18



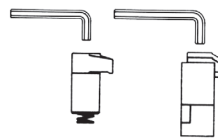
P50, P50SS	17	P550	17
P100, P100SS	17	P750	17
P200, P200SS	17	P1150, P1150L	18
P250	17	P2250, P2250L	18
P350	17	SP700	18
P400, P400SS	17		
P450	17		

PNEUMATIC SWING CLAMPS 20



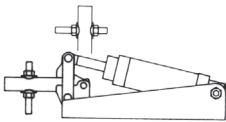
PNS32-10A, PNS32-10C	20	PNS50-20A, PNS50-20C	20
PNS40-20A, PNS40-20C	20	PNS63-20A, PNS63-20C	20

SWING CLAMPS & SWING CLAMP ASSEMBLIES 24



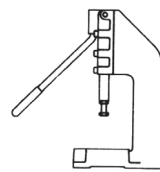
1015-08	24	1016-08	24
1015-10	24	1016-10	24
1015-12	24	1016-12	24
1015-16	24	1016-16	24

PNEUMATIC VERTICAL & PUSH-PULL CLAMPS 20



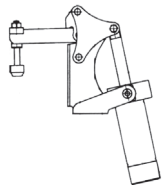
V75X	20	P600X	20
V150X	20	P1200X	20
V250X	20	P2500X	20
V450X	20		

TOGGLE PRESSES – MANUAL, PNEUMATIC & RACK & PINION 21



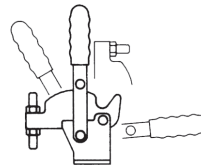
P600PR	21	PNDP1	21
P1200PR	21	RPP1	21
P2500PR	21	RPP2	21
P600XPR	21	TPR1	21
P1200XPR	21	TPR2	21
P2500XPR	21	TPR3	21
PNPR1	21		

PNEUMATIC VERTICAL SLIM-LINE TOGGLE CLAMPS 19



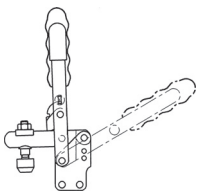
V100VX	19
V200VX	19
V300VX	19

VERTICAL CAM CLAMPS 8



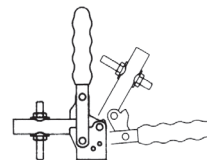
CV75	8
CV250	8
CV350	8

POSITIVE LOCKING CLAMPS 9 & 15



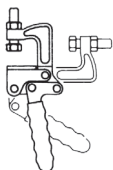
V250/1BLC, V250/2BLC, V250/3BLC	9
V350/1BLC, V350/2BLC	9
H350/1BLC, H350/2BLC	15

VERTICAL CLAMPS 6-9



V70/2BT, V70/2BTSS	9	V300/1A, V300/1B, V300/1C	6
V75/1B,	6	V300/3A, V300/3B V300/3C	8
V75/2B, V75/2BSS	7	V350/1A, V350/1B, V350/1C	6
V100/1B, V100/1C	6	V350/2A, V350/2B, V350/2C	7
V100/2B, V100/2C	7	V450/1A, V450/1B, V450/1C	6
V100/3B, V100/3C	8	V450/2A, V450/2B, V450/2C	7
V150/1B, V150/1BSS, V150/1BL, V150/1C	6	V550/1A, V550/1B, V550/1C	6
V150/2B, V150/2BSS, V150/2BL, V150/2C	7	V550/2A, V550/2B, V550/2C	7
V200/1B, V200/1C	6		
V200/2B, V200/2C	7		
V200/3B, V200/3C	8		
V250/1A, V250/1AL, V250/1B, V250/1BSS, V250/1C	6		
V250/2A, V250/2AL, V250/2B, V250/2BSS V250/2C	7		

PULL-BACK CLAMPS 24



TC79	24
TC345	24

SS = Stainless steel version

INTRODUCTION

Since 1926, Brauer has been providing industry with the finest quality products, expert technical support, on time deliveries and unparalleled customer service. Our brands are now recognized world-wide as products of the **highest quality**, and the breadth of our product portfolio provides our customers with tooling solutions for a wide variety of problems.

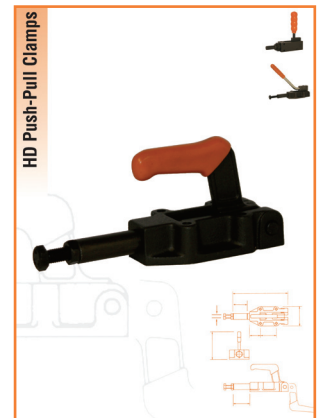
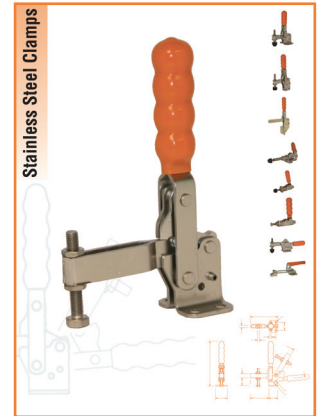
Brauer continues to be committed to bringing new innovative tooling products to the market place. This new clamping products catalog updates our long standing, and successful range of clamping products which have led the market for over 50 years.

Our team of highly talented engineers is backed by the latest computer aided design facilities including three dimensional feature based parametric solid modelling.

At Brauer, we continue to be motivated by working with our customers in providing innovative solutions for their particular tooling requirements.

To view the complete tooling portfolio manufactured by Brauer, please consult our web site at www.brauerclampsusa.com or www.brauer.co.uk.

If, after considering our standard range of products, you are unable to find a solution, then please consult our sales team who will be pleased to progress the design and manufacture of a **custom** designed item to meet your particular needs.



TECHNICAL INFORMATION

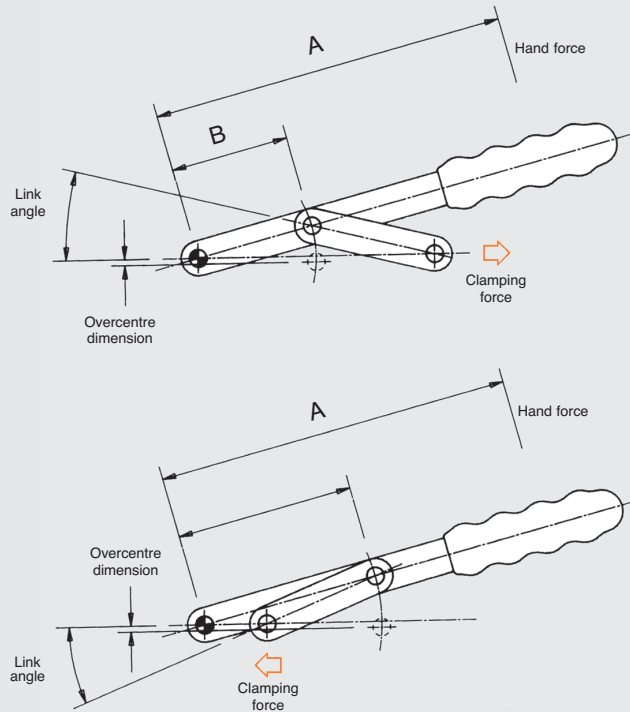
The toggle mechanism in a clamp has three functions:

1. to multiply a hand force at the handle into a high clamping force to hold work.
2. to create an over-centre lock to prevent the clamp from opening and releasing the work until opened by the operator.
3. to rapidly open and close the clamp giving a wide clearance in which to load and unload the workpiece.

The multiplication of input (hand) force to output (clamping) force is created firstly by the leverage of handle length (A) to link length (B), and secondly by the three pivots of the toggle being pushed into alignment.

For example, a clamp with a handle to link leverage of 3 can multiply its hand force to clamping force as follows:

link angle	toggle multiplier	handle leverage multiplier	overall force multiplier
2.0°	14	3	42
1.0°	28	3	84
0.5°	57	3	171
0.25°	114	3	342
0.12°	342	3	1026
0.0°	infinity	-	limited by the elasticity of the clamp



The model numbering system describes the clamp type and strength as shown in the example below:

V 350 / 2 B

CLAMP SERIES V = vertical H = horizontal P = straight line (push-pull) action	
HOLDING FORCE (for lbs x 2.2)	350
BASE TYPE /1 = straight /2 = flanged /3 = front mounting	/ 2
ARM TYPE A = straight B = adjustable spindle position C = fixed spindle position	B

Note: an 'X' within the model number denotes a pneumatic clamp

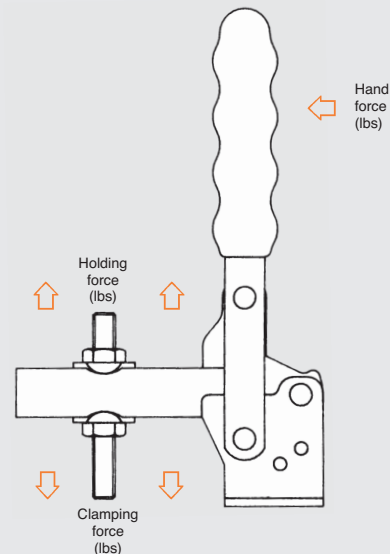
Clamping Force — is that which will result from the quoted Hand Force. Clamps with a fixed clamping position have a single Clamping Force quoted. Those where the threaded spindle may be positioned at any point along an arm (arm type B) and those with solid arms to be cut and welded as required (arm type A) have clamping forces quoted at the inner and outer ends of the arm.

Holding Force — is that which the clamp can withstand after being closed without damage to the clamp and without the toggle unlocking due to distortion of the clamp.

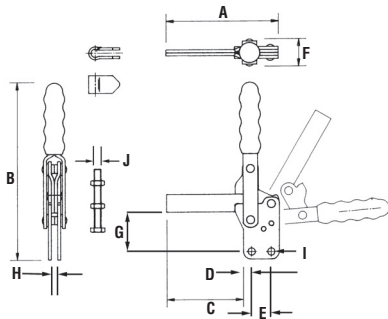
The overcentre dimension is carefully chosen in relation to the elasticity of the clamp to maximise clamping force while ensuring that the clamp locks closed even under vibration or intermittent loading.

Hand Force — has been chosen as being that which might be applied in frequent operation.

Forces are given in lbs.



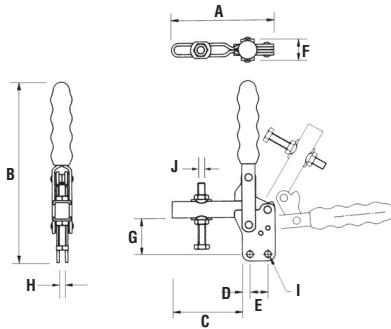
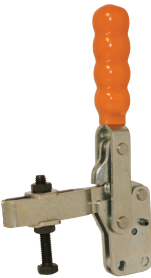
Vertical Clamps — Straight Base, Solid Arm Type



- Axles are solid stainless steel and run in precision bushes
- Precision geometry for smooth action
- Complete with cushioned PVC handle grip
- Extendible base to guide the clamping arm
- Removable stop pin which allows clamp arm to open to greater clearance angles
- Zinc-plated and passivated steel protection
- 2 position adjustable arm opening
- Spindle retainer supplied loose for welding in the desired position
- See "Accessories" for other items

Model #	Dimensions (in.)										Holding Force	Weight
	A	B	C	D	E	F	G	H	ØI	J		
V250/1A	4 ¹³ / ₁₆	7 ¹⁵ / ₃₂	3 ³ / ₃₂	5 ¹ / ₁₆	1 ¹ / ₈	7 ¹ / ₈	1 ¹⁷ / ₃₂	1 ¹ / ₄	5 ¹ / ₃₂	M8x60	551lbs	10oz
V250/1AL	5 ³ / ₆₄	7 ¹⁹ / ₃₂	3 ³ / ₃₂	5 ¹ / ₁₆	1 ¹ / ₈	7 ¹ / ₈	1 ¹⁷ / ₃₂	1 ¹ / ₄	5 ¹ / ₃₂	M8x60	551lbs	10.2oz
V300/1A	5 ¹ / ₄	7 ¹⁹ / ₁₆	3 ²⁹ / ₃₂	1 ¹ / ₃₂	1 ¹ / ₁₆	3 ¹ / ₂	1 ¹ / ₄	1 ¹ / ₄	5 ¹ / ₁₆	M8x60	660lbs	1lb 1oz
V350/1A	5 ¹ / ₄	9 ¹ / ₁₆	3 ⁵ / ₆₄	1 ¹ / ₃₂	1 ¹ / ₄	1 ¹ / ₈	2 ¹ / ₃₂	5 ¹ / ₁₆	2 ¹ / ₆₄	M10x60	772lbs	1lb 9oz
V450/1A	7 ¹ / ₃₂	9 ¹ / ₃₂	5	3 ¹ / ₈	1 ¹ / ₁₆	2 ¹ / ₁₆	2 ²⁹ / ₆₄	2 ¹ / ₁₆	1 ¹ / ₃₂	M12x100	992lbs	2lb 9oz
V550/1A	9 ¹ / ₄	13 ¹ / ₄	6 ¹⁷ / ₆₄	1 ¹ / ₂	2	1 ¹ / ₂	4 ¹ / ₃₂	2 ²⁹ / ₆₄	3 ¹ / ₆₄	M16x150	1212lbs	4lb 10oz

Vertical Clamps — Straight Base, Adjustable Arm Type

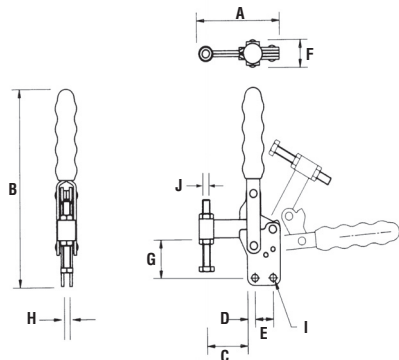


- Axles are solid stainless steel and run in precision bushes
- Precision geometry for smooth action
- Complete with cushioned PVC handle grip
- Extendible base to guide the clamping arm
- Removable stop pin which allows clamp arm to open to greater clearance angles
- Zinc-plated and passivated steel protection
- 2 position adjustable arm opening
- See "Accessories" for other items

Model #	Dimensions (in.)										Holding Force	Weight
	A	B	C	D	E	F	G	H	ØI	J		
V75/1B	2 ¹ / ₄	4 ³ / ₁₆	1 ¹ / ₃₂	1 ³ / ₆₄	5 ¹ / ₈	4 ³ / ₆₄	7 ¹ / ₈	3 ¹ / ₃₂	1 ¹ / ₆₄	M5	165lbs	1.3oz
V100/1B	2 ³ / ₈	4 ¹ / ₈	1 ¹ / ₂	1 ¹ / ₄	5 ¹ / ₁₆ -5 ³ / ₁₆	1 ¹ / ₁₆	1 ¹ / ₈	3 ¹ / ₁₆	3 ¹ / ₁₆	M5	220lbs	2.6oz
V150/1B	2 ¹ / ₂	5 ¹ / ₁₆	1 ¹ / ₁₆	5 ¹ / ₃₂	1 ¹ / ₂	1 ¹⁵ / ₁₆	1 ¹ / ₃₂	1 ¹ / ₄	1 ¹³ / ₆₄	M6	330lbs	4oz
V150/1BSS	2 ³ / ₈	5 ¹ / ₁₆	1 ¹ / ₁₆	5 ¹ / ₃₂	1 ¹ / ₂	1 ¹⁵ / ₁₆	1 ¹ / ₃₂	1 ¹ / ₄	1 ¹³ / ₆₄	M6	330lbs	4oz
V150/1BL	3 ¹ / ₃₂	5 ¹ / ₁₆	1 ¹ / ₁₆	5 ¹ / ₃₂	1 ¹ / ₂	1 ¹⁵ / ₁₆	1 ¹ / ₃₂	1 ¹ / ₄	1 ¹³ / ₆₄	M6	330lbs	4.3oz
V200/1B	3 ¹ / ₈	5 ¹ / ₈	1 ²³ / ₃₂	5 ¹ / ₁₆	1 ¹ / ₂ -3 ¹ / ₄	5 ³ / ₆₄	1 ¹⁵ / ₃₂	1 ¹ / ₄	1 ¹ / ₃₂	M6x50	441lbs	5.3oz
V250/1B	4 ¹ / ₁₆	7 ¹ / ₈	2 ¹ / ₁₆	5 ¹ / ₁₆	3 ¹ / ₄	2 ²⁹ / ₃₂	1 ¹⁷ / ₃₂	1 ¹ / ₄	9 ¹ / ₆₄	M8x60	551lbs	10oz
V250/1BSS	4 ¹ / ₁₆	7 ¹ / ₈	2 ¹ / ₁₆	5 ¹ / ₁₆	3 ¹ / ₄	2 ²⁹ / ₃₂	1 ¹⁷ / ₃₂	1 ¹ / ₄	9 ¹ / ₆₄	M8x60	551lbs	10oz
V300/1B	5 ¹ / ₁₆	8	3 ¹ / ₄	2 ²³ / ₆₄	5 ³ / ₆₄	5 ³ / ₆₄	1 ²¹ / ₃₂	1 ¹ / ₄	5 ¹ / ₁₆	M8x60	660lbs	1lb 1oz
V350/1B	5 ³ / ₈	9 ¹ / ₁₆	3 ³ / ₄	1 ¹ / ₃₂	1 ¹ / ₄	1 ¹³ / ₁₆	2 ¹ / ₈	5 ¹ / ₁₆	2 ¹ / ₆₄	M10x80	772lbs	1lb 9oz
V450/1B	6 ¹ / ₈	9 ¹ / ₁₆	4 ¹ / ₁₆	1 ¹ / ₃₂	1 ¹ / ₄	1 ¹ / ₁₆	2 ¹ / ₁₆	2 ²⁹ / ₆₄	1 ¹ / ₃₂	M12x100	992lbs	3lbs
V550/1B	9 ¹ / ₄	13 ¹ / ₃₂	6 ¹ / ₄	1 ¹ / ₂	2	1 ¹ / ₂	4 ¹ / ₃₂	2 ²⁹ / ₆₄	3 ¹ / ₆₄	M16x150	1212lbs	5lb 4oz

SS = stainless steel version

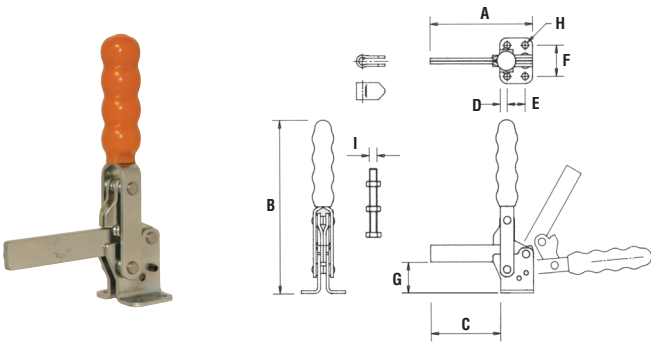
Vertical Clamps — Straight Base, Fixed Spindle Position



- Axles are solid stainless steel and run in precision bushes
- Precision geometry for smooth action
- Complete with cushioned PVC handle grip
- Extendible base to guide the clamping arm
- Removable stop pin which allows clamp arm to open to greater clearance angles
- Zinc-plated and passivated steel protection
- 2 position adjustable arm opening
- See "Accessories" for other items

Model #	Dimensions (in.)										Holding Force	Weight
	A	B	C	D	E	F	G	H	ØI	J		
V100/1C	2 ³ / ₈	4 ¹³ / ₃₂	1 ¹⁷ / ₆₄	1 ¹⁵ / ₆₄	5 ¹ / ₁₆ -5 ³ / ₁₆	1 ¹ / ₁₆	1 ¹ / ₈	1 ¹³ / ₆₄	3 ¹ / ₁₆	M5	220lbs	2.6oz
V150/1C	2 ¹ / ₂	5 ⁵ / ₁₆	1 ¹ / ₃₂	5 ¹ / ₃₂	1 ¹ / ₂	1 ¹⁵ / ₁₆	1 ¹ / ₃₂	1 ¹ / ₄	1 ¹³ / ₆₄	M6	330lbs	4oz
V200/1C	3 ¹ / ₂	5 ¹ / ₈	xx	5 ¹ / ₁₆	1 ¹ / ₂ -3 ¹ / ₄	5 ³ / ₆₄	1 ¹⁵ / ₃₂	1 ¹ / ₄	7 ¹ / ₃₂	M6x50	441lbs	5.3oz
V250/1C	3 ³ / ₁₆	7 ¹⁵ / ₃₂	1 ²⁵ / ₃₂	5 ¹ / ₁₆	3 ¹ / ₄	2 ²⁹ / ₃₂	1 ¹⁵ / ₃₂	1 ¹ / ₄	9 ¹ / ₆₄	Mx60	551lbs	10oz
V300/1C	4 ¹ / ₂	8	2 ¹ / ₁₆	2 ²³ / ₆₄	5 ³ / ₆₄	5 ³ / ₆₄	1 ¹⁷ / ₃₂	1 ¹ / ₄	5 ¹ / ₁₆	M8x60	660lbs	1lb 1oz
V350/1C	4 ¹ / ₄	9 ¹ / ₁₆	2 ¹ / ₁₆	1 ¹ / ₃₂	1 ¹ / ₄	1 ¹ / ₈	2 ¹ / ₁₆	5 ¹ / ₁₆	2 ¹ / ₆₄	M10x80	772lbs	1lb 8oz
V450/1C	5 ¹ / ₃₂	9 ¹ / ₁₆	2 ²⁹ / ₃₂	1 ¹ / ₃₂	1 ¹ / ₄	1 ¹ / ₁₆	2 ¹ / ₁₆	2 ²⁹ / ₆₄	1 ¹ / ₃₂	M12x100	992lbs	2lb 10oz
V550/1C	7 ²³ / ₃₂	13 ¹ / ₃₂	4 ¹ / ₄	1 ¹ / ₂	2	1 ¹ / ₂	3 ¹⁵ / ₁₆	2 ²⁹ / ₆₄	3 ¹ / ₆₄	M16x150	1212lbs	5lb 1oz

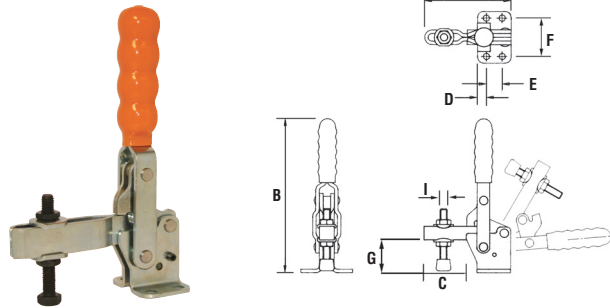
Vertical Clamps — Flanged Base, Solid Arm Type



- Axles are solid stainless steel and run in precision bushes
- Precision geometry for smooth action
- Complete with cushioned PVC handle grip
- Extendible base to guide the clamping arm
- Removable stop pin which allows clamp arm to open to greater clearance angles
- Zinc-plated and passivated steel protection
- Spindle retainer supplied loose for welding in the desired position
- Front mounting bracket available see "Accessories"
- See "Accessories" for other items

Model #	Dimensions (in.)									Holding Force	Weight
	A	B	C	D	E	F	G	ØH	I		
V250/2A	4 ³ / ₈	6 ⁷ / ₈	3 ¹ / ₂	5 ¹ / ₈	3 ¹ / ₄	1 ¹ / ₄	1 ¹ / ₄	9 ¹ / ₂	M8x60	551lbs	10oz
V250/2AL	4 ²³ / ₆₄	6 ⁷ / ₈	3 ¹ / ₂	5 ¹ / ₈	3 ¹ / ₄	1 ¹ / ₄	1 ¹ / ₄	9 ¹ / ₂	M8x60	551lbs	10.2oz
V300/2A	5 ⁷ / ₈	7 ⁷ / ₈	3 ¹ / ₂	5 ¹ / ₈	3 ¹ / ₄	1 ¹ / ₂	1 ¹ / ₂	9 ¹ / ₂	M8x60	661lbs	11b 1oz
V350/2A	5 ⁷ / ₈	9 ¹ / ₈	3 ¹ / ₂	5 ¹ / ₈	3 ¹ / ₄	1 ¹ / ₂	1 ¹ / ₂	9 ¹ / ₂	M10x80	772lbs	11b 9oz
V450/2A	7 ¹ / ₈	9	5	5 ¹ / ₈	3 ¹ / ₄	1 ¹ / ₂	2	1 ¹ / ₂	M12x100	992lbs	21b 9oz
V550/2A	9 ¹ / ₂	12 ¹ / ₂	5 ¹ / ₂	5 ¹ / ₂	2 ¹ / ₂	2 ¹ / ₂	3 ¹ / ₂	3 ¹ / ₄	M16x150	1212lbs	41b 10oz

Vertical Clamps — Flanged Base, Adjustable Arm Type

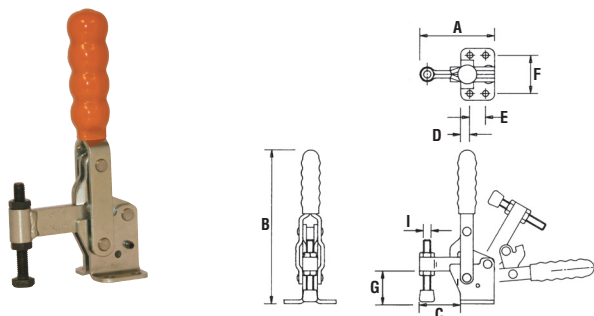


- Axles are solid stainless steel and run in precision bushes
- Precision geometry for smooth action
- Complete with cushioned PVC handle grip
- Extendible base to guide the clamping arm
- Removable stop pin which allows clamp arm to open to greater clearance angles
- Zinc-plated and passivated steel protection
- Some models also available in Stainless Steel
- Front mounting bracket available see "Accessories"
- See "Accessories" for other items

Model #	Dimensions (in.)									Holding Force	Weight
	A	B	C	D	E	F	G	ØH	I		
V75/2B	2 ¹ / ₄	3 ¹ / ₂	1 ¹ / ₂	1 ³ / ₄	5 ¹ / ₈	1 ³ / ₈	5 ¹ / ₈	9 ¹ / ₂	M5	165lbs	1.3oz
V75/2BSS	2 ¹ / ₄	3 ¹ / ₂	1 ¹ / ₂	1 ³ / ₄	5 ¹ / ₈	1 ³ / ₈	5 ¹ / ₈	9 ¹ / ₂	M5	165lbs	1.3oz
V100/2B	2 ¹ / ₂	4 ¹ / ₈	1 ¹ / ₂	1 ³ / ₄	5 ¹ / ₈	1 ¹ / ₂	1 ¹ / ₂	9 ¹ / ₂	M5	220lbs	2.6oz
V150/2B	2 ¹ / ₂	4 ¹ / ₈	1 ¹ / ₂	1 ³ / ₄	5 ¹ / ₈	1 ¹ / ₂	1 ¹ / ₂	9 ¹ / ₂	M6	330lbs	4oz
V150/2BSS	2 ¹ / ₂	4 ¹ / ₈	1 ¹ / ₂	1 ³ / ₄	5 ¹ / ₈	1 ¹ / ₂	1 ¹ / ₂	9 ¹ / ₂	M6	330lbs	4oz
V150/2BL	3 ¹ / ₂	4 ¹ / ₈	1 ¹ / ₂	1 ³ / ₄	5 ¹ / ₈	1 ¹ / ₂	1 ¹ / ₂	9 ¹ / ₂	M6	330lbs	4.3oz
V200/2B	3 ¹ / ₈	5 ¹ / ₈	1 ¹ / ₂	1 ³ / ₄	5 ¹ / ₈	1 ¹ / ₂	1 ¹ / ₂	9 ¹ / ₂	M6x50	441lbs	5.3oz
V250/2B	4 ¹ / ₄	6 ¹ / ₈	2 ¹ / ₈	1 ³ / ₄	5 ¹ / ₈	1 ¹ / ₂	1 ¹ / ₂	9 ¹ / ₂	M8x60	551lbs	10oz
V250/2BSS	4 ¹ / ₄	6 ¹ / ₈	2 ¹ / ₈	1 ³ / ₄	5 ¹ / ₈	1 ¹ / ₂	1 ¹ / ₂	9 ¹ / ₂	M8x60	551lbs	10oz
V300/2B	5 ¹ / ₂	7 ¹ / ₈	4	2 ³ / ₄	5 ¹ / ₈	1 ¹ / ₂	1 ¹ / ₂	9 ¹ / ₂	M8x60	661lbs	11b 1oz
V350/2B	5 ¹ / ₂	8 ¹ / ₈	3 ¹ / ₂	1 ¹ / ₂	1 ¹ / ₂	1 ¹ / ₂	1 ¹ / ₂	9 ¹ / ₂	M10x80	772lbs	11b 9oz
V450/2B	7	9	4 ¹ / ₄	2 ³ / ₄	1 ¹ / ₂	1 ¹ / ₂	2	1 ¹ / ₂	M12x100	992lbs	21b 9oz
V550/2B	9 ¹ / ₂	12 ¹ / ₄	6 ¹ / ₂	1 ¹ / ₂	2	2 ¹ / ₂	3 ¹ / ₂	3 ¹ / ₄	M16x150	1212lbs	51b 4oz

SS = stainless steel version

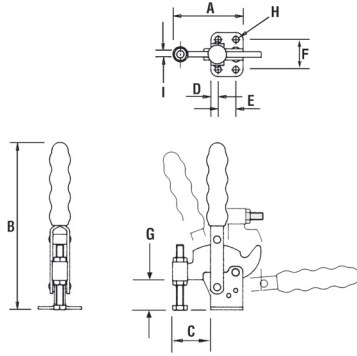
Vertical Clamps — Flanged Base, Fixed Spindle Position



- Axles are solid stainless steel and run in precision bushes
- Precision geometry for smooth action
- Complete with cushioned PVC handle grip
- Extendible base to guide the clamping arm
- Removable stop pin which allows clamp arm to open to greater clearance angles
- Zinc-plated and passivated steel protection
- Front mounting bracket available see "Accessories"
- See "Accessories" for other items

Model #	Dimensions (in.)									Holding Force	Weight
	A	B	C	D	E	F	G	H	I		
V100/2C	2 ¹ / ₄	4 ¹ / ₈	1 ¹ / ₂	1 ³ / ₄	5 ¹ / ₈	1 ¹ / ₂	1 ¹ / ₂	9 ¹ / ₂	M5	220lbs	2.6oz
V150/2C	2 ³ / ₄	4 ¹ / ₈	1 ¹ / ₂	1 ³ / ₄	5 ¹ / ₈	1 ¹ / ₂	1 ¹ / ₂	9 ¹ / ₂	M6	330lbs	4oz
V200/2C	3 ¹ / ₂	5 ¹ / ₈	1 ¹ / ₂	1 ³ / ₄	5 ¹ / ₈	1 ¹ / ₂	1 ¹ / ₂	9 ¹ / ₂	M6x50	441lbs	5.3oz
V250/2C	3 ¹ / ₂	6 ¹ / ₈	2 ¹ / ₈	1 ³ / ₄	5 ¹ / ₈	1 ¹ / ₂	1 ¹ / ₂	9 ¹ / ₂	M8x60	551lbs	10oz
V300/2C	4 ¹ / ₄	7 ¹ / ₈	2 ¹ / ₈	1 ³ / ₄	5 ¹ / ₈	1 ¹ / ₂	1 ¹ / ₂	9 ¹ / ₂	M8x60	661lbs	11b 1oz
V350/2C	4 ¹ / ₄	8 ¹ / ₈	2 ¹ / ₈	1 ³ / ₄	5 ¹ / ₈	1 ¹ / ₂	1 ¹ / ₂	9 ¹ / ₂	M10x80	772lbs	11b 8oz
V450/2C	5 ¹ / ₂	8 ¹ / ₈	2 ¹ / ₈	1 ¹ / ₂	1 ¹ / ₂	1 ¹ / ₂	1 ¹ / ₂	9 ¹ / ₂	M12x100	992lbs	21b 10oz
V550/2C	7 ¹ / ₄	12 ¹ / ₂	4 ¹ / ₂	1 ¹ / ₂	2	2 ¹ / ₂	3 ¹ / ₂	3 ¹ / ₄	M16x150	1212lbs	51b 1oz

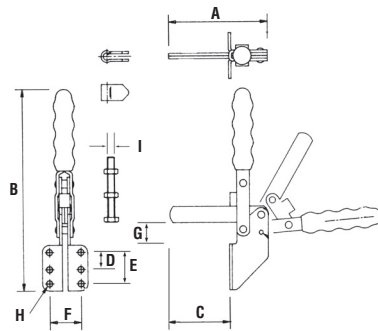
Cam Clamps — Vertical Standard Design



- Clamping force generated by the action of a roller on a cam
- Ideal for clamping components of different thicknesses without readjustment of the clamping spindle
- Complete with cushioned PVC handle grip
- See "Accessories" for other items

Model #	Dimensions (in.)									Holding Force	Weight
	A	B	C	D	E	F	G	ØH	I		
CV75	2 ³ / ₄	3 ¹ / ₄	7 ¹ / ₈	3 ¹ / ₁₆	5 ¹ / ₈	1 ¹ / ₁₆	5 ¹ / ₈	3 ¹ / ₃₂	M5x35	165lbs	1.3oz
CV250	2 ¹ / ₂	6 ¹ / ₄	1 ¹ / ₄	5 ¹ / ₁₆	3 ¹ / ₄	1 ¹ / ₄	1 ³ / ₁₆	5 ¹ / ₃₂	M8x60	550lbs	9oz
CV350	4 ¹ / ₁₆	8 ¹ / ₄	2 ¹ / ₂	1 ¹ / ₃₂	1 ¹ / ₄	1 ¹ / ₄	1 ² / ₃₂	2 ¹ / ₆₄	M10x80	770lbs	11b 6oz

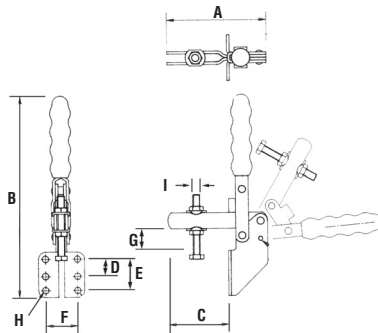
Vertical Clamps — Front mounted, Solid Arm



- Axles are solid stainless steel and run in precision bushes
- Precision geometry for smooth action
- Complete with cushioned PVC handle grip
- Extendible base to guide the clamping arm
- Removable stop pin which allows clamp arm to open to greater clearance angles
- Zinc-plated and passivated steel
- Unique one piece front mounting configuration
- Stainless steel solid axle pins
- Spindle and retainer supplied loose for welding in the desired position
- See "Accessories" for other items

Model #	Dimensions (in.)									Holding Force	Weight
	A	B	C	D	E	F	G	ØH	I		
V300/3A	5 ¹ / ₈	9 ¹ / ₄	3 ³ / ₃₂	3 ¹ / ₄	1 ¹ / ₄	1 ¹ / ₄	1 ¹ / ₂	1 ¹ / ₆₄	M8x60	661lbs	13oz

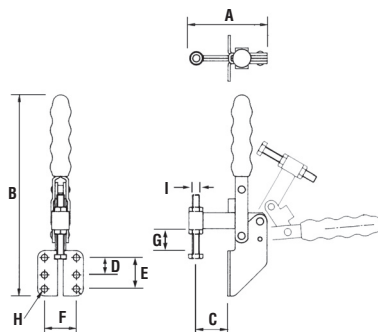
Vertical Clamps — Front mounted, Adjustable Arm



- Axles are solid stainless steel and run in precision bushes
- Precision geometry for smooth action
- Complete with cushioned PVC handle grip
- Extendible base to guide the clamping arm
- Removable stop pin which allows clamp arm to open to greater clearance angles
- Zinc-plated and passivated steel
- Unique one piece front mounting configuration
- Stainless steel solid axle pins
- See "Accessories" for other items

Model #	Dimensions (in.)									Holding Force	Weight
	A	B	C	D	E	F	G	ØH	I		
V100/3B	2 ¹ / ₂	4 ¹³ / ₁₆	XX	5 ¹ / ₃₂	3 ¹ / ₁₆	1 ¹ / ₃₂	1 ¹ / ₃₂	3 ¹ / ₁₆	M5	220lbs	2.9oz
V200/3B	3 ¹ / ₂	6 ¹ / ₁₆	1 ¹ / ₃₂	5 ¹ / ₁₆	3 ¹ / ₄	1 ¹ / ₃₂	2 ¹ / ₃₂	1 ¹ / ₃₂	M6x50	441lbs	6.6oz
V300/3B	5 ¹ / ₈	9 ¹ / ₄	3 ³ / ₃₂	3 ¹ / ₄	1 ¹ / ₄	1 ¹ / ₄	1 ¹ / ₂	1 ¹ / ₆₄	M6x60	661lbs	13oz

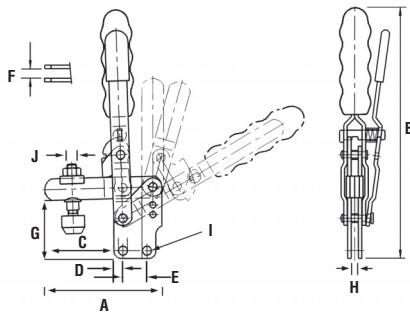
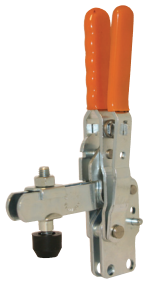
Vertical Clamps — Front mounted, Fixed Spindle Position



- Axles are solid stainless steel and run in precision bushes
- Precision geometry for smooth action
- Complete with cushioned PVC handle grip
- Extendible base to guide the clamping arm
- Removable stop pin which allows clamp arm to open to greater clearance angles
- Zinc-plated and passivated steel
- Unique one piece front mounting configuration
- Stainless steel solid axle pins
- See "Accessories" for other items

Model #	Dimensions (in.)									Holding Force	Weight
	A	B	C	D	E	F	G	ØH	I		
V100/3C	2 ¹ / ₁₆	4 ¹³ / ₁₆	3 ¹ / ₃₂	1 ¹ / ₁₆	3 ¹ / ₁₆	1 ¹ / ₃₂	1 ¹ / ₃₂	3 ¹ / ₁₆	M5	220lbs	2.9oz
V200/3C	3 ¹ / ₃₂	6 ¹ / ₁₆	1 ¹ / ₁₆	5 ¹ / ₁₆	3 ¹ / ₄	1 ² / ₃₂	1 ¹ / ₃₂	1 ¹ / ₃₂	M6x50	441lbs	6.6oz
V300/3C	4 ¹ / ₂	9 ¹ / ₄	2 ¹ / ₃₂	3 ¹ / ₄	1 ¹ / ₄	1 ¹ / ₄	1 ¹ / ₁₆	1 ¹ / ₆₄	M8x60	661lbs	13oz

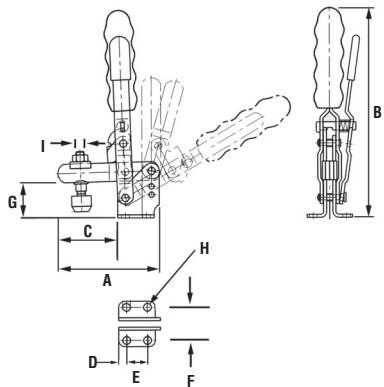
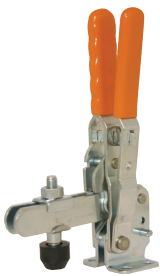
Vertical Positive Locking Clamps — Straight Base, Adjustable Spindle Type



- For use in turnover work holding fixtures
- Complete with cushioned PVC handle grip
- Zinc-plated and passivated steel-plating protection
- Stainless steel solid axles
- Positive mechanical bar lock
- See "Accessories" for other items

Model #	Dimensions (in.)										Holding Force	Weight
	A	B	C	D	E	F	G	H	ØI	J		
V250/1BLC	5½	8 ² / ₃₂	2¼	¾	5	5	1	7	19	8	550	1.04
V350/1BLC	5½	9 ² / ₃₂	3 ¹ / ₃₂	½	2 ⁷ / ₃₂	¾	2 ¹ / ₃₂	7	19	10	770	1.52

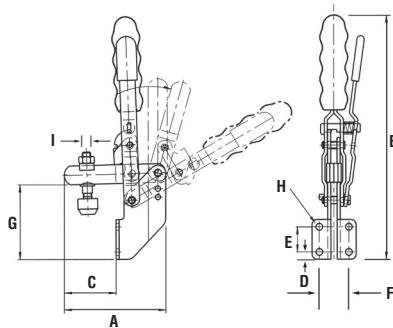
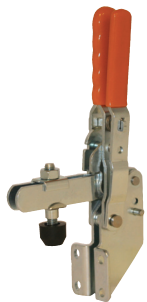
Vertical Positive Locking Clamps — Flanged Base, Adjustable Spindle Type



- For use in turnover work holding fixtures
- Complete with cushioned PVC handle grip
- All models have closed ends for rigidity
- Zinc-plated and passivated steel-plating protection
- Stainless steel solid axles
- Positive mechanical bar lock
- Front mounting bracket available see "Accessories"
- See "Accessories" for other items

Model #	Dimensions (in.)										Holding Force	Weight
	A	B	C	D	E	F	G	ØH	I			
V250/2BLC	3 ² / ₃₂	8 ¹ / ₃₂	2 ¹ / ₃₂	¾	2 ⁵ / ₃₂	1	1	19	8	550	1.04	
V350/2BLC	5 ¹ / ₃₂	9 ¹ / ₃₂	3 ² / ₃₂	½	1	1	1	21	10	770	1.76	

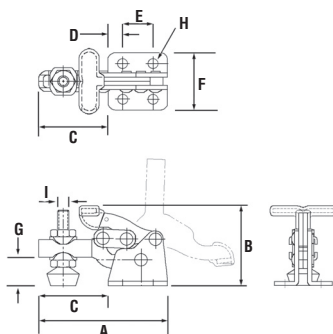
Vertical Positive Locking Clamps — Front mounted, Adjustable Spindle Type



- For use in turnover work holding fixtures
- Complete with cushioned PVC handle grip
- All models have closed ends for rigidity
- Zinc-plated and passivated steel-plating protection
- Stainless steel solid axles
- Positive mechanical bar lock
- See "Accessories" for other items

Model #	Dimensions (in.)										Holding Force	Weight
	A	B	C	D	E	F	G	ØH	I			
V250/3BLC	3 ² / ₃₂	9	1 ¹ / ₁₆	½	1 ⁵ / ₁₆	1	2 ² / ₃₂	1	8	550	1.18	

Mini Vertical Clamps — Flanged Base, Adjustable Arm



- Used where height restrictions prevent use of a vertical clamp
- Complete with cushioned PVC handle grip
- All models have closed ends for rigidity
- Zinc-plated and passivated steel-plating protection
- Stainless steel solid axles
- Positive mechanical bar lock
- See "Accessories" for other items

Model #	Dimensions (in.)										Holding Force	Weight
	A	B	C	D	E	F	G	ØH	I			
V70/2BT	2 ³ / ₁₆	1	1 ¹ / ₃₂	7	1 ¹ / ₃₂	1	1	11	10-32	150	4	
V70/2BTSS	2 ³ / ₁₆	1 ¹ / ₃₂	1 ¹ / ₃₂	7	1 ¹ / ₃₂	1	1	11	10-32	150	4	

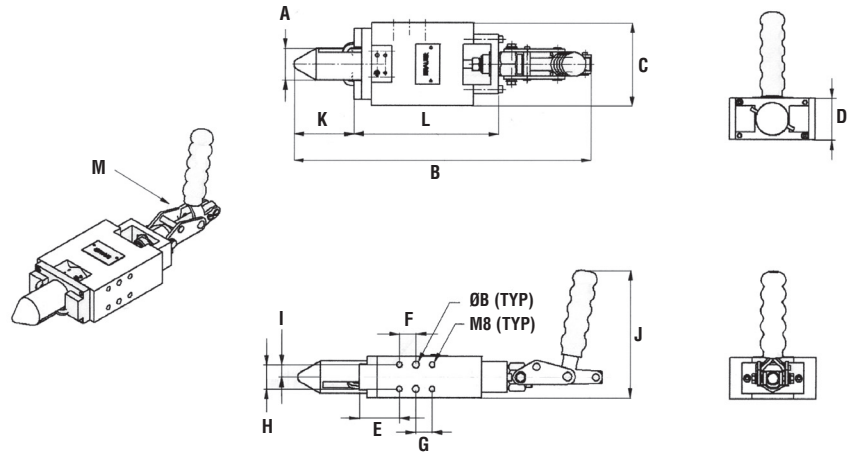
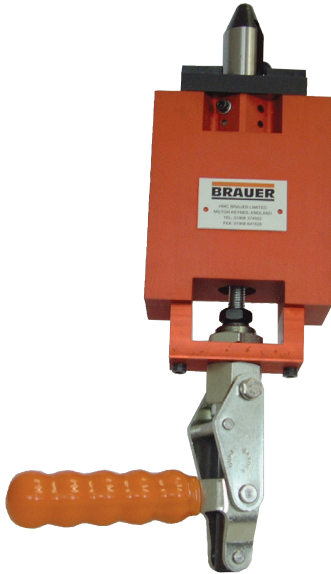
SS = stainless steel version

Pin Location Clamps



• Metric dimensions shown for global specification.

Model #	Dimensions (mm)												
	A	B	C	D	E	F	G	H	I	J	K	L	M
PC25.0	25	347	105	51	49	20	20	30	15	157	51	181	P400
PC35.0	35	370	105	51	49	20	20	30	15	157	74	181	P400
PC40.0	40	371	105	51	49	20	20	30	15	157	74	181	P400

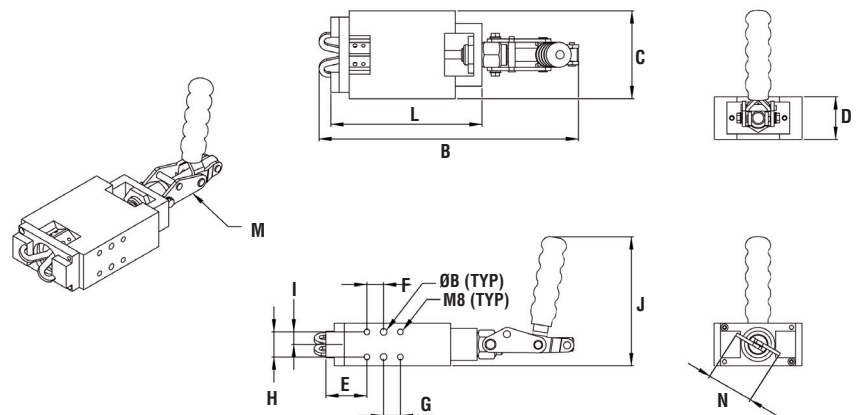
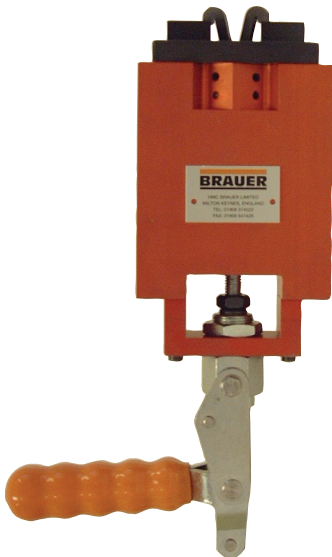


Body Location Clamps



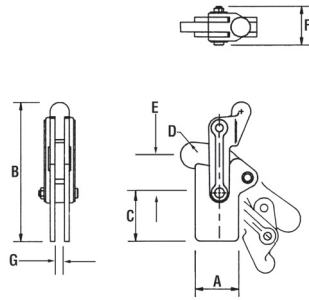
• Metric dimensions shown for global specification.

Model #	Dimensions (mm)												
	B	C	D	E	F	G	H	I	J	L	M	N	
BC25.0	305	105	51	49	20	20	30	15	157	181	P400	37	
BC40.0	310	105	51	49	20	20	30	15	157	181	P400	37	



Heavy-Duty Vertical Clamp Mechanisms

BRAUER

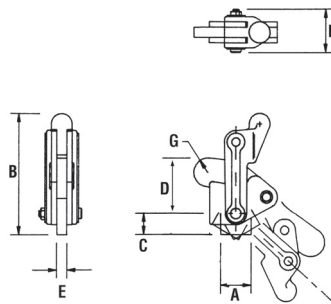


- Mechanism to add customer's own handle, arm and base
- Adaptable, durable and weldable
- Able to withstand abuse in heavy-duty applications
- Fully bushed assembly
- Side plate mounting for drilling and bolting into position
- See "Accessories" for other items

Model #	Dimensions (in.)							Holding Force	Weight
	A	B	C	D	E	F	G		
VA300T	1 $\frac{1}{16}$	3 $\frac{3}{16}$	1 $\frac{1}{16}$	R1 $\frac{1}{32}$	1 $\frac{1}{16}$	1	$\frac{1}{4}$	660lbs	6oz
VA700T	1 $\frac{1}{4}$	5 $\frac{1}{8}$	1 $\frac{3}{16}$	R $\frac{1}{16}$	1 $\frac{1}{2}$	1 $\frac{11}{16}$	$\frac{13}{32}$	1543lbs	11b 9oz
VA1200T	2	7	2 $\frac{1}{4}$	R $\frac{1}{4}$	2 $\frac{1}{2}$	1 $\frac{1}{8}$	$\frac{15}{32}$	2646lbs	31b 2oz
VA2400T	2 $\frac{1}{2}$	8 $\frac{1}{8}$	2 $\frac{15}{16}$	R $\frac{1}{2}$	2 $\frac{29}{32}$	2 $\frac{1}{16}$	$\frac{3}{8}$	5291lbs	71b 1oz

Heavy-Duty Clamp Mechanisms

BRAUER

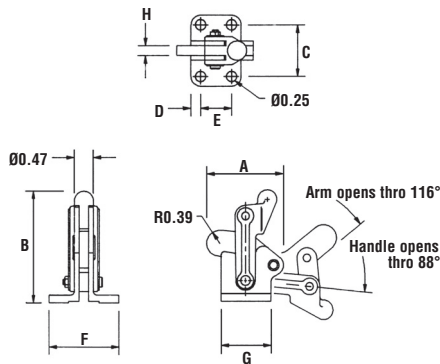


- Mechanism to add customer's own handle, arm and base
- Adaptable, durable and weldable
- Able to withstand abuse in heavy-duty applications
- Fully bushed assembly
- Flanged base for screwing or welding into position
- Weldable base
- See "Accessories" for other items

Model #	Dimensions (in.)							Holding Force	Weight
	A	B	C	D	E	F	G		
VA300S	$\frac{23}{32}$	2 $\frac{19}{32}$	$\frac{13}{32}$	1 $\frac{11}{16}$	$\frac{7}{32}$	1	R $\frac{3}{16}$	660lbs	6oz
VA700S	1 $\frac{1}{8}$	4 $\frac{15}{32}$	$\frac{29}{32}$	1 $\frac{1}{4}$	$\frac{3}{8}$	1 $\frac{11}{16}$	R1 $\frac{1}{32}$	1543lbs	11b 7oz
VA1200S	1 $\frac{15}{32}$	5 $\frac{15}{32}$	1 $\frac{1}{2}$	2 $\frac{27}{32}$	$\frac{15}{32}$	1 $\frac{1}{8}$	R $\frac{23}{32}$	2646lbs	21b 10oz
VA2400S	2 $\frac{1}{2}$	6 $\frac{15}{16}$	1 $\frac{1}{2}$	3 $\frac{3}{8}$	$\frac{5}{8}$	2 $\frac{1}{16}$	R $\frac{27}{32}$	5291lbs	61b 4oz

Heavy-Duty Clamp Mechanisms

BRAUER

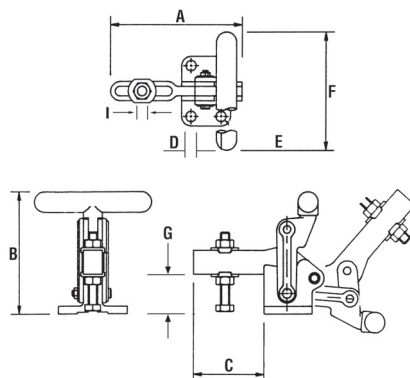


- Mechanism to add customer's own handle, arm and base
- Adaptable, durable and weldable
- Able to withstand abuse in heavy-duty applications
- Fully bushed assembly
- Flanged base for screwing or welding into position
- Weldable base
- See "Accessories" for other items

Model #	Dimensions (in.)								Holding Force	Weight
	A	B	C	D	E	F	G	H		
VA3002S	2.05	2.91	1.25	0.24	0.75	1.65	1.22	0.24	660lbs	6oz

Heavy-Duty Vertical — Adjustable Spindle Position, Flange Base

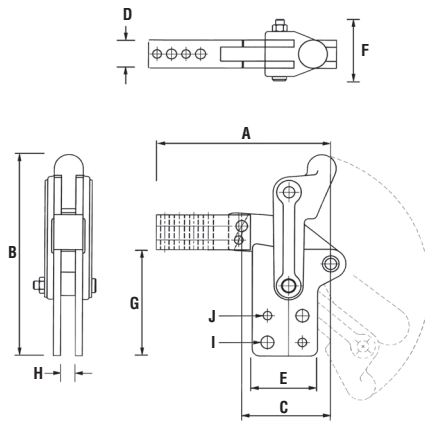
BRAUER



- Able to withstand abuse in heavy-duty applications
- Adaptable, durable and weldable
- Fully bushed assembly
- See "Accessories" for other items

Model #	Dimensions (in.)							Holding Force	Weight	
	A	B	C	D	E	F	G			
VA300/2BT	3 $\frac{3}{16}$	3 $\frac{1}{2}$	1 $\frac{9}{16}$	$\frac{15}{16}$	$\frac{3}{4}$	1 $\frac{1}{4}$	$\frac{31}{32}$	M6x50	660lbs	9oz

Heavy-Duty Special Vertical — Attachable Precision Drilled Arm, Straight Base

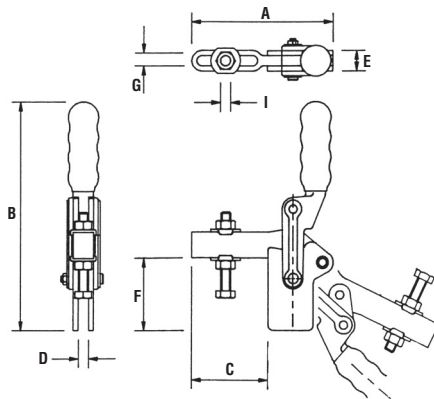


- Able to withstand abuse in heavy-duty applications
- Adaptable, durable and weldable
- Fully bushed assembly
- Side plate mounting for drilling and bolting into position
- See "Accessories" for other items
- Arm supplied separately (if required)

Model #	Dimensions (in.)										Holding Force	Weight
	A	B	C	D	E	F	G	ØH	I	J		
VA700TD	4 ⁵ / ₃₂	5 ³ / ₁₆	2.50	2 ³ / ₃₂	1 ³ / ₁₆	1 ¹ / ₁₆	3.0	2 ⁵ / ₆₄	9 ¹ / ₁₆	2 ³ / ₆₄	1543lbs	2lbs 6oz
VA1200TD	6 ³ / ₆₄	7.0	3.0	1.0	2.0	1 ⁷ / ₁₆	4.0	1 ⁵ / ₃₂	2 ⁵ / ₆₄	1 ⁵ / ₆₄	2646lbs	4lbs 2oz

Arm Part No. (if required)
 C7D (VA700TD)
 C12D (VA1200TD)

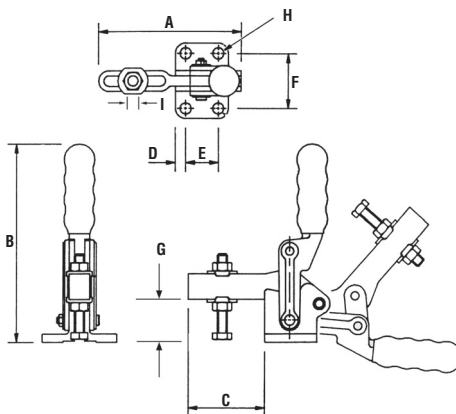
Heavy-Duty Vertical — Adjustable Spindle Position, Straight Base



- Able to withstand abuse in heavy-duty applications
- Adaptable, durable and weldable
- Fully bushed assembly
- Side plate mounting for drilling and bolting into position
- See "Accessories" for other items

Model #	Dimensions (in.)									Holding Force	Weight
	A	B	C	D	E	F	G	I			
VA300/1B	3 ³ / ₁₆	5 ¹ / ₂	1 ⁴ / ₆₄	1/4	1 ⁵ / ₃₂	1 ² / ₃₂	1 ⁷ / ₆₄	M6x50	660lbs	9oz	

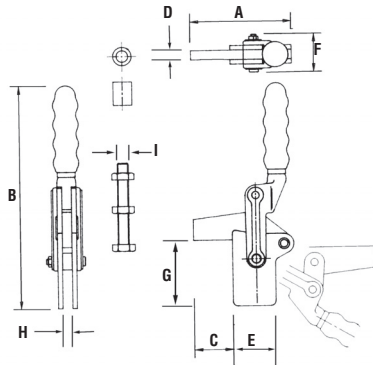
Heavy-Duty Vertical with Flange Base — Adjustable Spindle Position



- Able to withstand abuse in heavy-duty applications
- Adaptable, durable and weldable
- Fully bushed assembly
- See "Accessories" for other items

Model #	Dimensions (in.)										Holding Force	Weight
	A	B	C	D	E	F	G	ØH	I			
VA300/2B	3 ³ / ₁₆	4 ¹ / ₁₆	1 ⁴ / ₆₄	1 ⁵ / ₆₄	3/4	1 ⁷ / ₆₄	3 ¹ / ₃₂	1 ⁷ / ₆₄	M6x50	660lbs	9oz	

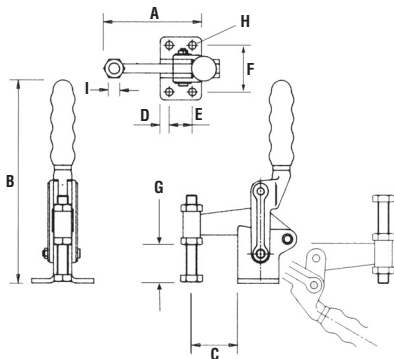
Heavy-Duty Vertical — Straight Arm for Welded Attachment, Straight Base



- Able to withstand abuse in heavy-duty applications
- Adaptable, durable and weldable
- Fully bushed assembly
- Side plate mounting for drilling and bolting into position
- Spindle retainer supplied loose for welding in the desired position
- See "Accessories" for other items

Model #	Dimensions (in.)									Holding Force	Weight
	A	B	C	D	E	F	G	H	I		
VA700/1A	4 ³ / ₂	9 ¹ / ₂	1 ³ / ₆₄	1 ³ / ₂	1 ²⁵ / ₂	1 ¹¹ / ₁₆	2 ³ / ₄	1 ¹ / ₂	M12x100	1543lbs	2lb 5oz
VA1200/1A	4 ⁷ / ₈	10 ⁷ / ₈	2	1 ¹⁵ / ₂	1 ³¹ / ₂	1 ⁵ / ₄	3 ³ / ₈	1 ¹⁵ / ₂	M12x100	2646lbs	4lb 0oz
VA2400/1A	6 ⁷ / ₈	12 ¹ / ₂	2 ³ / ₈	5 ¹ / ₈	5 ¹ / ₈	2 ¹ / ₁₆	4 ¹ / ₈	5 ¹ / ₈	M16x150	5286lbs	8lb 3oz

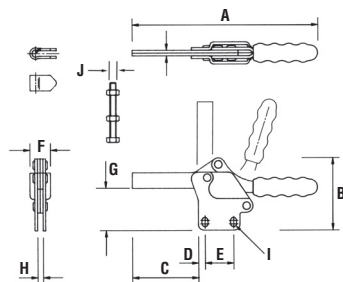
Heavy-Duty Vertical — Fixed Spindle Position, Flange Base



- Able to withstand abuse in heavy-duty applications
- Adaptable, durable and weldable
- Fully bushed assembly
- Complete with cushioned PVC handle grip
- See "Accessories" for other items

Model #	Dimensions (in.)									Holding Force	Weight
	A	B	C	D	E	F	G	ØH	I		
VA700/2C	4 ⁷ / ₈	8 ⁷ / ₁₆	2	2 ⁵ / ₆₄	5 ⁵ / ₆₄	1 ³¹ / ₂	1 ⁷ / ₈		M12x100	1543lbs	2lb 9oz
VA1200/2C	5 ¹ / ₈	9 ⁷ / ₈	2 ³ / ₈	3 ¹ / ₈	1 ³ / ₁₆	2 ²³ / ₆₄	2 ³ / ₂		M12x100	2646lbs	4lb 9oz
VA2400/2C	7 ¹ / ₈	11 ¹ / ₈	2 ³¹ / ₂	1 ¹⁵ / ₂	1 ¹ / ₈	2 ³¹ / ₂	2 ³ / ₄		M12x100	1543lbs	2lb 9oz

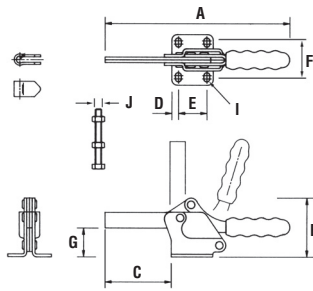
Horizontal Clamps — Straight Base, Solid Arm Type



- Used where height restrictions prevent use of a vertical clamp
- Complete with cushioned PVC handle grip
- All models have closed ends for rigidity
- Zinc-plated and passivated steel-plating protection
- Stainless steel solid axles
- Positive mechanical bar lock
- Spindle and retainer supplied loose for welding in the desired position
- See "Accessories" for other items

Model #	Dimensions (in.)										Holding Force	Weight
	A	B	C	D	E	F	G	H	I	J		
H250/1A	8 ⁷ / ₈	3 ³ / ₂	3 ³ / ₂	5 ¹ / ₈	1	2 ² / ₂	1 ² / ₂	7 ¹ / ₂	1 ¹ / ₄	M8x60	550lbs	1lb 1oz
H250/1AL	9 ¹ / ₄	3 ³ / ₂	3 ³ / ₂	5 ¹ / ₈	1	2 ² / ₂	1 ² / ₂	7 ¹ / ₂	1 ¹ / ₄	M8x60	540lbs	1lb 2oz
H350/1A	11	4 ¹ / ₄	4 ³ / ₂	1 ¹ / ₂	1 ¹ / ₂	1 ¹ / ₂	2 ¹ / ₂	5 ¹ / ₈	1 ¹ / ₂	M10x80	770lbs	1lb 11oz
H450/1A	12 ³ / ₁₆	5 ³ / ₂	12 ³ / ₁₆	1 ¹ / ₂	1 ¹ / ₂	1 ¹ / ₂	3 ³ / ₂	5 ¹ / ₈	1 ¹ / ₂	M12x100	991lbs	3lb 6oz

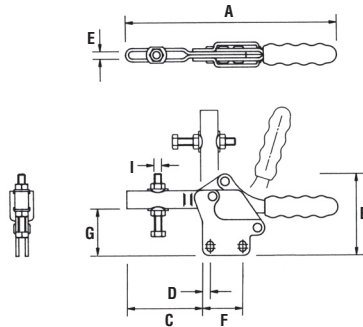
Horizontal Clamps — Flanged Base, Solid Arm Type



- Used where height restrictions prevent use of a vertical clamp
- Complete with cushioned PVC handle grip
- All models have closed ends for rigidity
- Zinc-plated and passivated steel-plating protection
- Stainless steel solid axles
- Positive mechanical bar lock
- Spindle and retainer supplied loose for welding in the desired position
- See "Accessories" for other items

Model #	Dimensions (in.)						Width			Holding Force	Weight
	A	B	C	D	E	F	G	I	J		
H250/2A	8 ⁷ / ₁₆	2 ⁵ / ₁₆	3 ³ / ₁₆	5 ¹ / ₁₆	1 ¹ / ₂	1.10	1 ¹ / ₁₆	1 ¹ / ₄	M6x60	550lbs	1lb 1oz
H250/2AL	9 ¹ / ₄	2 ⁵ / ₁₆	3 ⁹ / ₁₆	5 ¹ / ₁₆	1 ¹ / ₂	1.10	1 ¹ / ₁₆	1 ¹ / ₄	M6x60	550lbs	1lb 2oz
H350/2A	10 ³ / ₁₆	3 ³ / ₁₆	4 ¹ / ₂	1 ¹ / ₂	1 ¹ / ₂	1.58	1 ³ / ₄	1 ¹ / ₂	M12x80	770lbs	1lb 11oz
H450/2A	12 ³ / ₁₆	4 ³ / ₁₆	5 ¹ / ₂	1 ¹ / ₂	1 ¹ / ₂	1.63	2 ¹ / ₄	1 ¹ / ₂	M12x100	991lbs	3lbs 6oz

Horizontal Clamps — Straight Base, Adjustable Arm

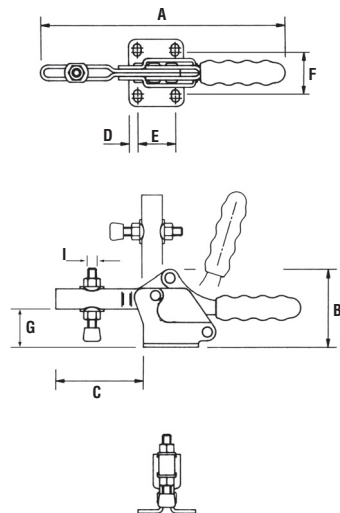


- Solid stainless steel axles
- Used where height restrictions prevent use of a vertical clamp
- Complete with cushioned PVC handle grip
- All models have enclosed clamp arms for rigidity
- Zinc-plated and passivated steel plating protection
- Precision Auto Cad design geometry for smooth action
- Safety side plate guarding to prevent finger trapping
- See "Accessories" for other items

Model #	Dimensions (in.)						Width			Holding Force	Weight
	A	B	C	D	E	F	G	I			
H50/1B	2 ¹ / ₂	1 ¹ / ₂	1 ¹ / ₂	1 ¹ / ₄	7 ¹ / ₁₆	5 ¹ / ₁₆	3 ¹ / ₁₆	M5	110lbs	1oz	
H75/1B	4 ¹ / ₁₆	1 ¹ / ₂	1 ¹ / ₂	7 ¹ / ₁₆	1 ¹ / ₂	3 ¹ / ₁₆	7 ¹ / ₁₆	M5	165lbs	3oz	
H75/1BSS	4 ¹ / ₁₆	1 ¹ / ₂	1 ¹ / ₂	7 ¹ / ₁₆	1 ¹ / ₂	3 ¹ / ₁₆	7 ¹ / ₁₆	M5	165lbs	3oz	
H150/1B	6 ¹ / ₁₆	2 ¹ / ₁₆	2 ¹ / ₁₆	1 ¹ / ₄	1 ¹ / ₂	1 ¹ / ₂	1 ¹ / ₂	M6	330lbs	7oz	
H150/1BSS	6 ¹ / ₁₆	2 ¹ / ₁₆	2 ¹ / ₁₆	1 ¹ / ₄	1 ¹ / ₂	1 ¹ / ₂	1 ¹ / ₂	M6	330lbs	7oz	
H250/1B	8 ¹ / ₁₆	3 ¹ / ₁₆	3 ¹ / ₁₆	5 ¹ / ₁₆	1 ¹ / ₂	1 ¹ / ₂	1 ¹ / ₂	M8x60	550lbs	1lb 1oz	
H350/1B	10 ³ / ₁₆	4 ¹ / ₁₆	4 ¹ / ₁₆	1 ¹ / ₂	1 ¹ / ₂	2 ¹ / ₁₆	2 ¹ / ₁₆	M10x80	770lbs	1lb 11oz	
H450/1B	12	5 ¹ / ₁₆	5 ¹ / ₁₆	1 ¹ / ₂	1 ¹ / ₂	2 ¹ / ₁₆	2 ¹ / ₁₆	M12x100	991lbs	3lb 6oz	

SS = stainless steel version

Horizontal Clamps — Flanged Base, Adjustable Arm Type

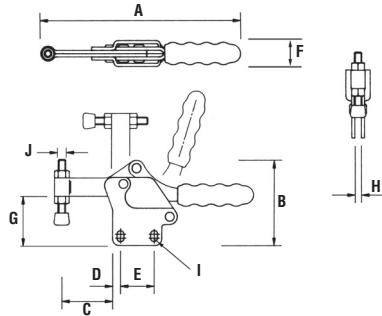


- Solid stainless steel axles
- Used where height restrictions prevent use of a vertical clamp
- Complete with cushioned PVC handle grip
- All models have enclosed clamp arms for rigidity
- Zinc-plated and passivated steel
- Precision Auto Cad design geometry for smooth action
- Safety side plate guarding to prevent finger trapping
- Front mounting bracket available see "Accessories"
- See "Accessories" for other items

Model #	Dimensions (in.)						Width			Holding Force	Weight
	A	B	C	D	E	F	G	I			
H50/2B	2 ¹ / ₂	7 ¹ / ₁₆	1 ¹ / ₂	1 ¹ / ₄	5 ¹ / ₁₆	5 ¹ / ₁₆	7 ¹ / ₁₆	M5	110lbs	1 ¹ / ₂ oz	
H50/2BSS	2 ¹ / ₂	7 ¹ / ₁₆	1 ¹ / ₂	1 ¹ / ₄	5 ¹ / ₁₆	5 ¹ / ₁₆	7 ¹ / ₁₆	M5	110lbs	1 ¹ / ₂ oz	
H75/2B	4 ¹ / ₁₆	1 ¹ / ₁₆	1 ¹ / ₁₆	7 ¹ / ₁₆	1 ¹ / ₁₆	1 ¹ / ₁₆	1 ¹ / ₁₆	M5	165lbs	3oz	
H75/2BSS	4 ¹ / ₁₆	1 ¹ / ₁₆	1 ¹ / ₁₆	7 ¹ / ₁₆	1 ¹ / ₁₆	1 ¹ / ₁₆	1 ¹ / ₁₆	M5	165lbs	3oz	
H100/2B											
H150/2B	6 ¹ / ₁₆	2 ¹ / ₁₆	2 ¹ / ₁₆	7 ¹ / ₁₆	7 ¹ / ₁₆ -1 ¹ / ₁₆	1	3 ¹ / ₁₆	M5	110lbs	1 ¹ / ₂ oz	
H150/2BSS	6 ¹ / ₁₆	2 ¹ / ₁₆	2 ¹ / ₁₆	7 ¹ / ₁₆	7 ¹ / ₁₆ -1 ¹ / ₁₆	1	3 ¹ / ₁₆	M5	110lbs	1 ¹ / ₂ oz	
H200/2B											
H250/2B	8 ¹ / ₁₆	2 ¹ / ₁₆	3 ¹ / ₁₆	1 ¹ / ₄	1 ¹ / ₂ -1 ¹ / ₂	1	1 ¹ / ₂	M5	110lbs	1 ¹ / ₂ oz	
H300/2B											
H350/2B	10 ¹ / ₁₆	3 ¹ / ₁₆	4 ¹ / ₁₆	1 ¹ / ₂	1 ¹ / ₂ -1 ¹ / ₁₆	1 ¹ / ₁₆	1 ¹ / ₂	M5	110lbs	1 ¹ / ₂ oz	
H450/2B	12	4 ¹ / ₁₆	5 ¹ / ₁₆	1 ¹ / ₂	1 ¹ / ₂	1 ¹ / ₁₆	2 ¹ / ₁₆	M5	110lbs	1 ¹ / ₂ oz	
H700	10 ¹ / ₁₆	3 ¹ / ₁₆	3 ¹ / ₁₆	1 ¹ / ₂	3 ¹ / ₄	1 ¹ / ₄	1 ¹ / ₄	M5	110lbs	1 ¹ / ₂ oz	

SS = stainless steel version

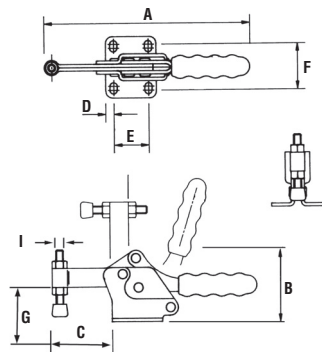
Horizontal Clamps — Straight Base, Fixed Spindle Arm Type



- Solid stainless steel axles
- Used where height restrictions prevent use of a vertical clamp
- Complete with cushioned PVC handle grip
- All models have closed ends for rigidity
- Zinc-plated and passivated steel
- Precision Auto Cad design geometry for smooth action
- Safety side plate guarding to prevent finger trapping
- Front mounting bracket available see "Accessories"
- See "Accessories" for other items

Model #	Dimensions (in.)										Holding Force	Weight
	A	B	C	D	E	F	G	H	I	J		
H75/1C	4 1/4	1 25/32	2 9/32	7/16	1 7/32	5/8	1 1/16	5/32	1 3/64	M5	165lbs	3oz
H150/1C	6 1/2	2 1/8	1 1/2	1/4	1 1/2	2 9/32	1 15/32	3/16	7/32	M6	330lbs	7oz

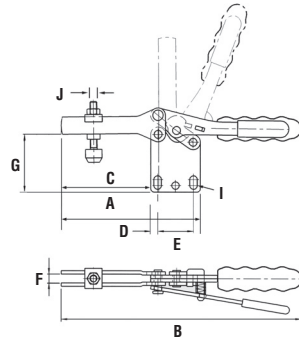
Horizontal Clamps — Flanged Base, Fixed Spindle Arm Type



- Solid stainless steel axles
- Used where height restrictions prevent use of a vertical clamp
- Complete with cushioned PVC handle grip
- All models have enclosed clamp arms for rigidity
- Zinc-plated and passivated steel
- Precision Auto Cad design geometry for smooth action
- Safety side plate guarding to prevent finger trapping
- Front mounting bracket available see "Accessories"
- See "Accessories" for other items

Model #	Dimensions (in.)										Holding Force	Weight
	A	B	C	D	E	F	G	I	J			
H50/2C	2 3/4	3/4	1 3/16	1/4	5/8	5/8	7/16		M5	110lbs	3/4oz	
H75/2C	4 1/4	1 1/8	7/8	7/32	1 1/16	1 1/32	3/4		M5	165lbs	3oz	
H150/2C	6 1/2	2 1/2	1 1/2	7/32	1 1/2	1 1/16	3 1/32		M6	330lbs	7oz	

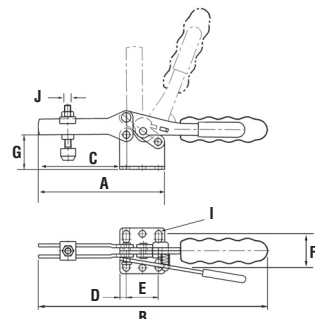
Horizontal Positive Locking Clamps — Straight Base Type



- Used where a secondary positive lock is needed like turn over fixtures
- Complete with cushioned PVC handle grip
- All models have closed ends for rigidity
- Zinc-plated and passivated steel-plating protection
- Stainless steel solid axles
- Positive mechanical bar lock
- See "Accessories" for other items

Model #	Dimensions (in.)										Width	Holding Force	Weight
	A	B	C	D	E	F	G	I	J				
H350/1BLC	6 1/2	11 17/32	3 19/32	5/16	1 19/32	3/4	2 19/32	2 1/4	10mm	770lbs	1.52lbs		

Horizontal Positive Locking Clamps — Flanged Base, Adjustable Spindle Type



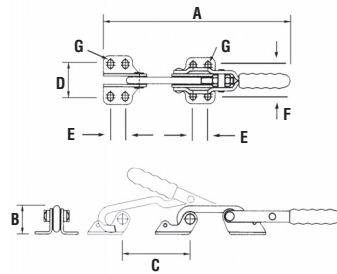
- Used where a secondary positive lock is needed like turn over fixtures
- Complete with cushioned PVC handle grip
- All models have closed ends for rigidity
- Zinc-plated and passivated steel-plating protection
- Stainless steel solid axles
- Positive mechanical bar lock
- Front mounting bracket available see "Accessories"
- See "Accessories" for other items

Model #	Dimensions (in.)										Width	Holding Force	Weight
	A	B	C	D	E	F	G	I	J				
H350/2BLC	6 1/2	11 17/32	4 1/2	5/16	1 19/32	1 19/32	1 19/32	1/4	10mm	770lbs	1.52lbs		

Hook Clamps

BRAUER

- Used for locking lids, covers and boxes
- Complete with cushioned PVC handle grip
- Zinc-plated and passivated steel-plating protection
- Solid stainless steel axles
- Adjustable swaged hook for increased holding capacity
- See "Accessories" for other items



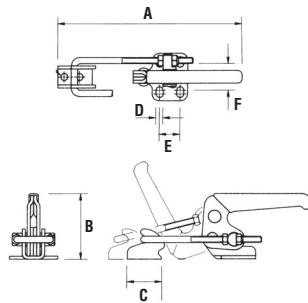
Model #	Dimensions (in.)						Holding Force	Weight
	A	B	C	D	E	F		
LH200	6 ³ / ₃₂	1 ¹ / ₃₂	2 ¹ / ₄	1 ¹ / ₃₂	1/2	2 ⁷ / ₃₂	1 ³ / ₆₄	441lbs 3oz
LH200SS	6 ³ / ₃₂	1 ¹ / ₃₂	2 ¹ / ₄	1 ¹ / ₃₂	1/2	2 ⁷ / ₃₂	1 ³ / ₆₄	441lbs 3oz
LH400	9 ¹ / ₁₆	1 ¹³ / ₃₂	3 ¹⁷ / ₃₂	1 ¹ / ₈	3/4	1 ¹ / ₃₂	1/4	881lbs 9oz
LH400SS	9 ¹ / ₁₆	1 ¹³ / ₃₂	3 ¹⁷ / ₃₂	1 ¹ / ₈	3/4	1 ¹ / ₃₂	1/4	881lbs 9oz
LH700	12 ¹ / ₃₂	1 ¹⁵ / ₁₆	4 ¹ / ₂	2 ⁵ / ₃₂	1 ¹ / ₄	1 ¹¹ / ₁₆	1 ¹ / ₃₂	1542lbs 2.2lbs
LH700SS	12 ¹ / ₃₂	1 ¹⁵ / ₁₆	4 ¹ / ₂	2 ⁵ / ₃₂	1 ¹ / ₄	1 ¹¹ / ₁₆	1 ¹ / ₃₂	1524lbs 2.2lbs

SS = stainless steel version

Latch Clamps Horizontal Position

BRAUER

- Used for locking lids, covers and boxes
- Complete with cushioned PVC handle grip
- Zinc-plated and passivated steel
- Models also available in Stainless Steel
- Adjustable latch arm for varying reach
- See "Accessories" for other items



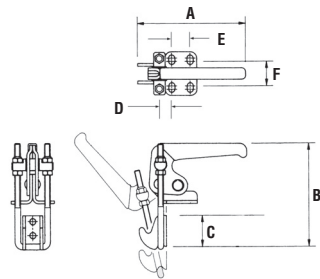
Model #	Dimensions (in.)						Holding Force	Weight
	A	B	C	D	E	F		
LU200H	4 ¹ / ₄ -5 ⁵ / ₁₆	1 ¹ / ₈	3/8	1 ³ / ₆₄	1/2	3/4	441lbs	2oz
LU200HSS	4 ¹ / ₄ -5 ⁵ / ₁₆	1 ¹ / ₈	3/8	1 ³ / ₆₄	1/2	3/4	441lbs	2oz
LU400H	5 ¹¹ / ₁₆ -7 ⁷ / ₃₂	2 ¹ / ₂	1 ¹ / ₄	1/4	3/4	1	881lbs	7oz
LU400HSS	5 ¹¹ / ₁₆ -7 ⁷ / ₃₂	2 ¹ / ₂	1 ¹ / ₄	1/4	3/4	1	881lbs	7oz
LU700H	7 ¹ / ₂ -9 ¹³ / ₁₆	3 ³ / ₁₆	1 ¹ / ₈	2 ³ / ₆₄	1 ¹ / ₄	1 ¹ / ₈	1542lbs	1lb 6oz
LU700HSS	7 ¹ / ₂ -9 ¹³ / ₁₆	3 ³ / ₁₆	1 ¹ / ₈	2 ³ / ₆₄	1 ¹ / ₄	1 ¹ / ₈	1542lbs	1lb 6oz

SS = stainless steel version

Latch Clamps Vertical Position

BRAUER

- Used for locking lids, covers and boxes
- Complete with cushioned PVC handle grip
- Zinc-plated and passivated steel
- Models also available in Stainless Steel
- Adjustable latch arm for varying reach
- See "Accessories" for other items
- Base mounting same as horizontal position latch clamp



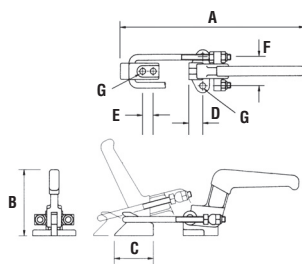
Model #	Dimensions (in.)						Holding Force	Weight
	A	B	C	D	E	F		
LU200V	3	2 ³ / ₄ -3 ¹⁷ / ₃₂	3/8	1/2	7/16	3/4	441lbs	2oz
LU200VSS	3	2 ³ / ₄ -3 ¹⁷ / ₃₂	3/8	1/2	7/16	3/4	441lbs	2oz
LU400V	4 ¹⁷ / ₃₂	3 ¹³ / ₁₆ -4 ²⁷ / ₃₂	1 ¹ / ₄	1/4	3/4	1	881lbs	7oz
LU400VSS	4 ¹⁷ / ₃₂	3 ¹³ / ₁₆ -4 ²⁷ / ₃₂	1 ¹ / ₄	1/4	3/4	1	881lbs	7oz
LU700V	6	4 ¹ / ₁₆ -6 ¹ / ₁₆	1 ¹ / ₈	2 ³ / ₆₄	1 ¹ / ₄	1 ¹ / ₈	1542lbs	1lb 6oz
LU700VSS	6	4 ¹ / ₁₆ -6 ¹ / ₁₆	1 ¹ / ₈	2 ³ / ₆₄	1 ¹ / ₄	1 ¹ / ₈	1542lbs	1lb 6oz

SS = stainless steel version

Heavy-Duty Latch Clamps — Horizontal Position

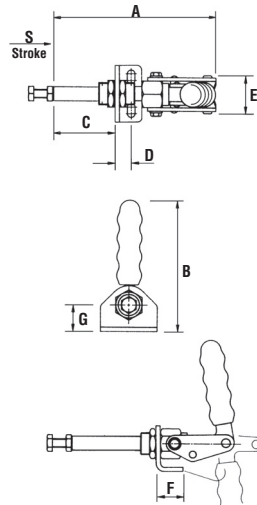
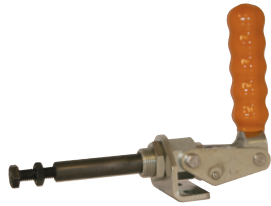
BRAUER

- Used for locking lids, covers and boxes
- Complete with cushioned PVC handle grip
- Zinc-plated and passivated steel – for corrosion protection
- Fully adjustable latch arm
- 2 position latch for vertical or horizontal use
- See "Accessories" for other items



Model #	Dimensions (in.)						Holding Force	Weight
	A	B	C	D	E	F		
LU2000H	10 ⁵ / ₁₆ -12 ³ / ₁₆	4 ¹ / ₂	2 ⁹ / ₁₆	5/32	1 ¹ / ₃₂	2	1 ³ / ₃₂	4405lbs 3lb 1oz
LU4000H	13 ³ / ₁₆ -15 ³ / ₁₆	5 ³ / ₁₆	3 ¹ / ₁₆	1 ¹ / ₃₂	2 ¹ / ₃₂	2 ³ / ₁₆	1 ⁵ / ₃₂	8811lbs 5lb 9oz

Push-Pull Slimline Clamps

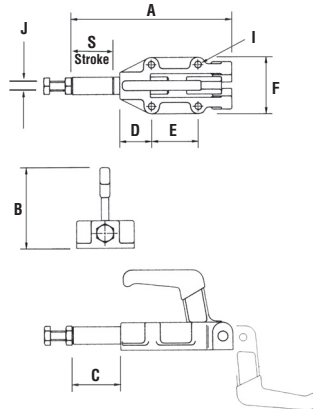


- A range of toggle clamps for use when positive clamping is required
- Complete with cushioned PVC handle grip
- Also available in Stainless Steel
- Large bushing area for increased life
- See "Accessories" for other items

Model #	Dimensions (in.)									Holding Force	Weight
	A	B	C	D	E	F	G	S	I		
P50	2 $\frac{5}{16}$	1 $\frac{5}{16}$	1 $\frac{3}{8}$	$\frac{5}{8}$	$\frac{5}{8}$	$\frac{7}{16}$	$\frac{1}{2}$	$\frac{5}{8}$	M4x12	110lbs	1.3oz
P50SS	2 $\frac{5}{16}$	1 $\frac{5}{16}$	1 $\frac{3}{8}$	$\frac{5}{8}$	$\frac{5}{8}$	$\frac{7}{16}$	$\frac{1}{2}$	$\frac{5}{8}$	M4x12	110lbs	1.3oz
P100	2 $\frac{11}{16}$	3 $\frac{1}{4}$	1 $\frac{1}{4}$	1 $\frac{1}{8}$	1 $\frac{11}{16}$	1 $\frac{1}{8}$	1 $\frac{1}{2}$	1 $\frac{3}{16}$	M16x1,5	220lbs	4oz
P100SS	2 $\frac{11}{16}$	3 $\frac{1}{4}$	1 $\frac{1}{4}$	1 $\frac{1}{8}$	1 $\frac{11}{16}$	1 $\frac{1}{8}$	1 $\frac{1}{2}$	1 $\frac{3}{16}$	M16x1,5	220lbs	4oz
P200	4 $\frac{3}{16}$	5 $\frac{3}{8}$	2 $\frac{1}{8}$	$\frac{1}{2}$	1 $\frac{3}{16}$ -1 $\frac{1}{2}$	1 $\frac{3}{16}$	1 $\frac{3}{8}$	1 $\frac{1}{8}$	M8x25	485lbs	9oz
P200SS	4 $\frac{3}{16}$	5 $\frac{3}{8}$	2 $\frac{1}{8}$	$\frac{1}{2}$	1 $\frac{3}{16}$ -1 $\frac{1}{2}$	1 $\frac{3}{16}$	1 $\frac{3}{8}$	1 $\frac{1}{8}$	M8x25	485lbs	9oz
P250	5 $\frac{1}{8}$	3 $\frac{11}{16}$	2 $\frac{3}{32}$	-	1 $\frac{13}{32}$	2 $\frac{1}{32}$	1 $\frac{1}{4}$	1 $\frac{1}{4}$	M6x12	551lbs	8oz
P350	4 $\frac{27}{32}$	3 $\frac{11}{16}$	1 $\frac{15}{16}$	-	-	-	-	2 $\frac{1}{32}$	M16x1,5	771lbs	5oz
P400	6 $\frac{1}{8}$	6	3 $\frac{3}{8}$	-	1 $\frac{13}{16}$ -1 $\frac{1}{4}$	xx	1 $\frac{3}{16}$	2 $\frac{11}{16}$	M24x1,5	881lbs	11b 7oz
P400SS	6 $\frac{1}{8}$	6	3 $\frac{3}{8}$	-	1 $\frac{13}{16}$ -1 $\frac{1}{4}$	xx	1 $\frac{3}{16}$	2 $\frac{11}{16}$	M24x1,5	881lbs	11b 7oz
P450	6 $\frac{13}{16}$	4 $\frac{23}{32}$	2 $\frac{3}{8}$	-	1 $\frac{15}{32}$	1 $\frac{1}{8}$	1 $\frac{1}{2}$	1 $\frac{1}{2}$	M10x20	991lbs	11b 8oz
P550	6 $\frac{1}{8}$	4 $\frac{23}{16}$	2 $\frac{3}{8}$	-	-	-	-	1 $\frac{1}{2}$	M20x1,5	1211lbs	11bs
P750	9 $\frac{3}{32}$	5 $\frac{1}{8}$	2 $\frac{3}{4}$	-	-	-	-	2 $\frac{19}{32}$	M24x1,5	1652lbs	2.2lbs

SS = stainless steel version

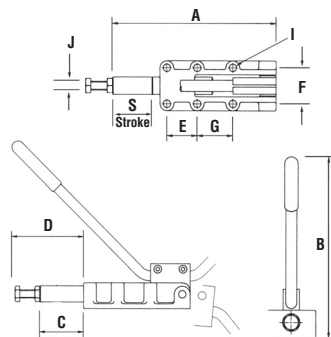
Heavy-Duty Push-Pull Clamps



- Unique to Brauer heavy-duty push-pull clamps
- A range of toggle clamps for use when arduous environment clamping is required
- Complete with cushioned PVC handle grip
- Main components steel
- Large bearing area for long plunger life
- Plunger locks in both full forward and retracted position
- Machined cast base.
- See "Accessories" for other items

Model #	Dimensions (in.)									Holding Force	Weight
	A	B	C	D	E	F	S	ØI	J		
P600	5	2 $\frac{1}{2}$	1 $\frac{1}{2}$	1	1 $\frac{1}{16}$	1.32	1 $\frac{1}{4}$	$\frac{7}{32}$	M8x30	1322lbs	11bs
P1200	7 $\frac{1}{2}$	3 $\frac{1}{2}$	2 $\frac{3}{32}$	$\frac{3}{16}$	3	1.62	1 $\frac{3}{32}$	2 $\frac{1}{64}$	M10x40	2643lbs	31bs
P2500	11 $\frac{1}{16}$	4 $\frac{1}{4}$	4	1 $\frac{15}{32}$	3 $\frac{1}{2}$	2.13	2 $\frac{19}{16}$	1 $\frac{3}{32}$	M12x60	5507lbs	81bs
P5000	15 $\frac{3}{8}$	4 $\frac{3}{4}$	5 $\frac{1}{8}$	1 $\frac{15}{32}$	5 $\frac{1}{2}$	2.25	3 $\frac{15}{16}$	1 $\frac{13}{32}$	M16x60	11013lbs	131b 6oz

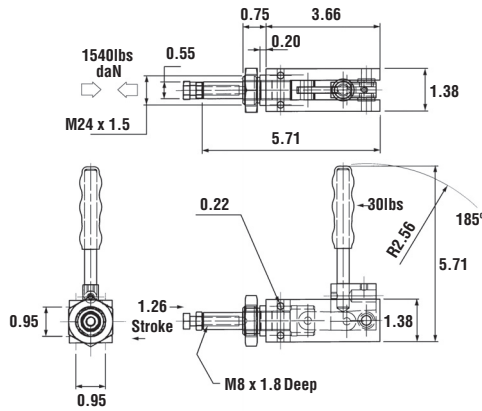
Long-Handled Push-Pull Clamps



- Unique to Brauer heavy-duty push-pull clamps
- A range of toggle clamps for use when arduous environment clamping is required
- Complete with cushioned PVC handle grip
- Main components steel
- Large bearing area for long plunger life
- Plunger locks in both full forward and retracted position
- Machined cast base. Investment precision
- Long handle for increased mechanical advantage
- See "Accessories" for other items

Model #	Dimensions (in.)									Holding Force	Weight	
	A	B	C	D	E	F	G	S	I			J
P600L	5	5 $\frac{1}{8}$	1 $\frac{1}{2}$	2 $\frac{3}{16}$	1	1.32	1 $\frac{1}{16}$	1 $\frac{1}{4}$	$\frac{7}{32}$	M8x30	1322lbs	11b 2oz
P1200L	7 $\frac{1}{2}$	7 $\frac{1}{8}$	2 $\frac{3}{32}$	4	1 $\frac{1}{8}$	1.62	1 $\frac{1}{8}$	1 $\frac{3}{32}$	2 $\frac{3}{64}$	M10x40	2643lbs	31b 6oz
P2500L	11 $\frac{1}{16}$	11	4	5 $\frac{1}{4}$	1 $\frac{1}{4}$	2.13	1 $\frac{1}{4}$	2 $\frac{15}{16}$	1 $\frac{3}{32}$	M12x60	5507lbs	91b 1oz
P5000L	15 $\frac{3}{8}$	14	5 $\frac{1}{8}$	6 $\frac{1}{4}$	2 $\frac{1}{2}$	2.25	2 $\frac{3}{4}$	3 $\frac{15}{16}$	1 $\frac{13}{32}$	M16x60	11013lbs	151b 6oz

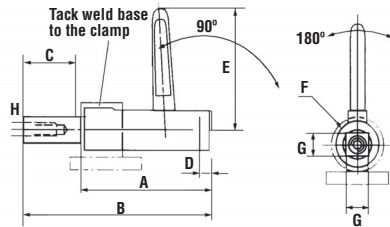
Precision Push-Pull Clamp - Model SP700



- Plunger is precision ground steel self-locking at forward stroke position
- Carbon steel precision machined base, nose mounting or body mounting
- Supplied complete with MBO840 setscrews and nuts
- See "Accessories" for other items

Model #	Holding Force	Weight
SP700	1540lbs	1.8lbs

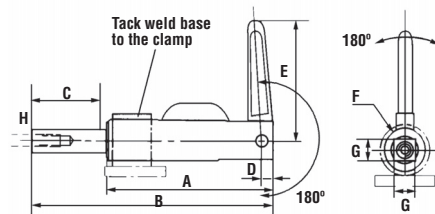
Precision Push-Pull Clamp



- Heavy duty high force
- Piston locks at the extended end of the stroke only
- Base is fixed using accessories
- See "Accessories" for other items

Model #	Dimensions (in.)								Holding Force	Weight
	A	B	C	D	E	F	G	H		
P1150	4.26	6.27	1.81	0.39	4.41	1.38	0.75	M12	2530lbs	2530lbs
P2250	5.55	8.37	2.17	0.55	5.00	1.77	0.98	M16	4950lbs	4070lbs

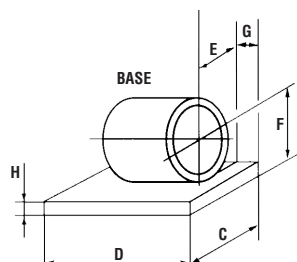
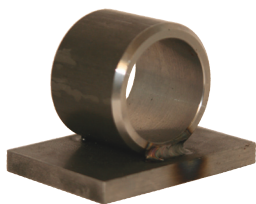
Precision Push-Pull Clamp



- Heavy duty high force
- Piston locks at the extended end of the stroke only
- Base is fixed using accessories
- See "Accessories" for other items

Model #	Dimensions (in.)								Holding Force	Weight
	A	B	C	D	E	F	G	H		
P1150L	5.90	8.50	2.30	0.38	4.41	1.38	0.74		2530lbs	2530lbs
P2250L	7.65	11.0	3.07	0.55	5.00	1.78	0.98		4070lbs	4070lbs

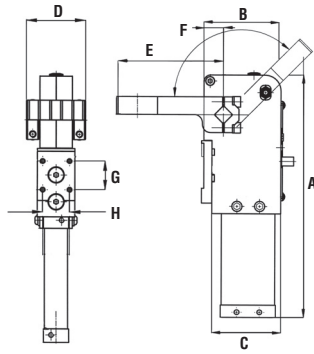
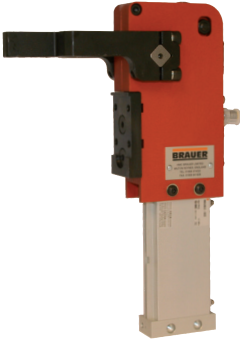
P Series Base Accessory



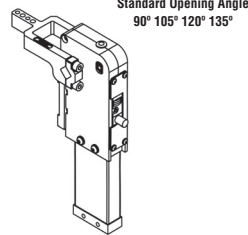
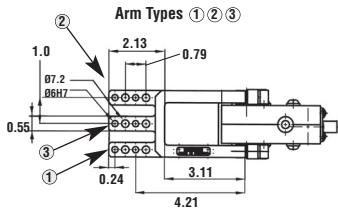
Base #	Dimensions (in.)							Weight
	C	D	E	F	G	H		
P1150B	2.76	1.97	1.38	1.19	0.26	0.30	0.84lbs	
P2250B	3.55	2.76	1.77	1.58	0.28	0.48	1.98lbs	

Part #	Fits Models
P1150B	P1150, P1150L
P2250B	P2250, P2250L

Pneumatic Power Clamps - Interchangeable with Existing Types

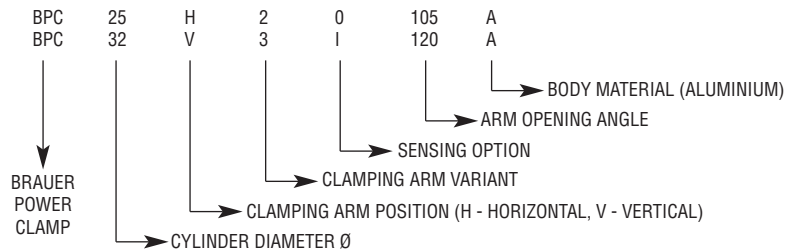


- Mounting face hole patterns and hole sizes can be modified to suit requirements
- Enclosed body
- No reduction of clamping torque as clamp locks
- Flat, 'slim line' construction
- Variety of arm types
- Opening angles up to 135°
- Long service life
- Air cylinders max 8 bar with oil free dry running design
- Reed switches on cylinder (magnetic piston) (R)
- Sensing options:
 - = without sensing
 - ⊓ = supplied with inductive sensing 10-30V weld immune and isolated M12x10 sensor thread

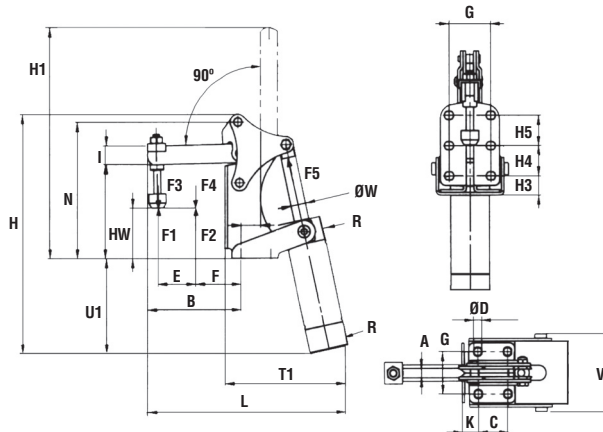


Model #	Dimensions (in.)								Holding Moment	Clamping Moment	Piston Ø	Cylinder Port	Weight (lbs)
	A	B	C	D	E	F	G	H					
BPC 25	12.00	4.02	3.35	2.52	5.24	1.06	1.26	1.18	125ft/lbs	40ft/lbs	0.980	M5	5.25
BPC 32	12.28	4.02	3.35	2.52	5.24	1.06	1.26	1.18	250ft/lbs	85ft/lbs	1.259	G½	5.75

ORDER EXAMPLE



Pneumatic Slim Line Vertical Toggle Clamp - Adjustable Spindle, Flange Base



- Space saving design
- Can be mounted vertically or horizontally
- Fitted with double-acting Norgren or Festo pneumatic cylinders
- Replaceable cylinders
- 30-90lbs operating pressure range
- Magnetic piston for sensor-position monitoring
- Adjustable speed
- Clamp zinc-plated and passivated
- Stainless steel rivets running in case-hardened bushes
- Bearings pre-greased
- Complete with heat-treated, zinc-plated pressure screws
- Supplied with set screw, sliders, nuts and neoprene cover
- See "Accessories" for other items

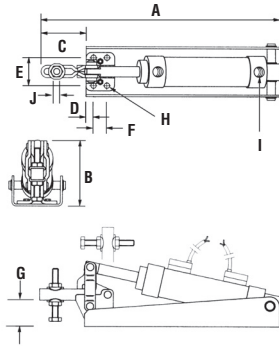
Stroke Sensing Switch		
Part No.	Cylinder Stroke	Cylinder Piston Ø
M/50/LSU/CP Ø25	1.65	1.00
M/50/LSU/CP Ø32	2.05	1.26
M/50/LSU/CP Ø40	2.44	1.58

Model #	F1 (lbs)				Dimensions (in.)		Width	Screw	WGT(g)	a	b
	F1 (lbs)	F1 (lbs)	F1 (lbs)	F1 (lbs)	F1 (kN)	Height					
V100VX	220	264	154	220	66	6.69	5.12	1.38	1.76	0.24	1.57
V200VX	308	550	132	242	110	8.07	6.30	1.77	2.42	0.32	2.56
V300VX	440	660	330	484	165	10.23	8.66	2.56	3.52	0.39	3.35

Model #	Dimensions (in.)																			
	C	ØD	E	F	G	H	H1	H3	H4	H5	HW	I	K	N	R	Q	T1	U1	V	ØW
V100VX	0.49	0.22	1.06	0.94	1.06	2.56	5.71	0.63	0.50	0.50	1.46-1.81	0.47	0.63	3.70	M5	0.31	3.54	2.76	2.44	0.39
V200VX	0.62	0.26	1.65	1.18	1.00	2.83	7.28	0.70	0.63	-	1.50-1.97	0.70	0.63	4.25	G½	0.51	4.13	3.54	2.76	0.47
V300VX	1.26	0.33	2.04	1.57	1.77	3.93	9.45	0.87	1.30	1.30	1.97-3.11	0.79	0.71	5.66	G½	0.79	5.31	4.13	3.35	0.63

Pneumatic Vertical Clamps

BRAUER

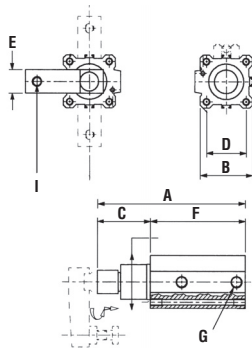


- Compact cylinder with magnetic piston
- Can be operated with dry air; air lubrication extends cylinder life
- Operating air pressure range 2-6 bar
- One piece body base to maintain alignment
- See "Accessories" for other items

Model #	Dimensions (in.)										Holding Force	Weight
	A	B	C	D	E	F	G	ØH	I	J		
V75X	7	2	1 1/16	3/16	1 1/16	3/8	2 3/32	1 1/4	G 1/2	M5x35	165lbs	11oz
V150X	8 15/16	2 1/2	1 1/8	3/32	1 1/8	1/2	1 1/8	1 3/4	G 1/2	M6x50	330lbs	11b 5oz
V250X	12 1/2	3 3/8	3	3/16	1 1/4	3/4	1 1/8	1 3/4	G 1/2	M8x60	550lbs	2lb 8oz
V450X	11 1/8	4 13/16	2 15/16	3/16	3/4	1 1/4	2 1/2	1 1/2	G 1/2	M12x100	991lbs	6lb 5oz

Pneumatic Swing Clamps

BRAUER



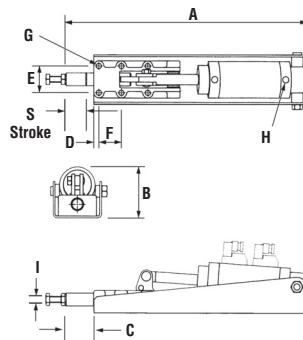
- 90° swing of arm for clearance of workplace
- Fast clamping stroke
- High repeatable clamping accuracy
- See "Accessories" for other items

Model #	Dimensions (in.)								Holding Force	Weight
	A	B	C	D	E	F	G	I		
PNS 32-10A	5	1 1/4	1 25/32	1 1/8	1 1/8	1 1/2	G 1/2	M8x1,25	132lbs	11b 9oz
PNS 32-10C	5	1 1/4	1 25/32	1 1/8	1 1/8	1 1/2	G 1/2	M8x1,25	132lbs	11b 9oz
PNS 40-20A	5 13/16	2 1/2	2 15/32	1 1/8	1 1/8	1 1/2	G 1/2	M8x1,25	231lbs	11b 14oz
PNS 40-20C	5 13/16	2 1/2	2 15/32	1 1/8	1 1/8	1 1/2	G 1/2	M8x1,25	231lbs	11b 14oz
PNS 50-20A	6 23/32	3 1/2	2 27/32	1 1/8	1 1/8	1 1/2	G 1/2	M8x1,25	370lbs	3lb 3oz
PNS 50-20C	6 23/32	3 1/2	2 27/32	1 1/8	1 1/8	1 1/2	G 1/2	M8x1,25	370lbs	3lb 3oz
PNS 63-20A	6 23/32	3 1/2	2 27/32	2 1/2	2 1/2	1 1/2	G 1/2	M10x1,5	616lbs	4lb 2oz
PNS 63-20C	6 23/32	3 1/2	2 27/32	2 1/2	2 1/2	1 1/2	G 1/2	M10x1,5	616lbs	4lb 2oz

'A' suffix denotes anti-clockwise working. 'C' suffix denotes clockwise working

Heavy-Duty Pneumatic Push-Pull Clamps

BRAUER

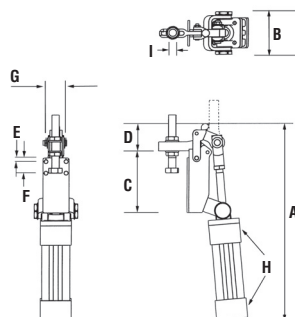


- Compact cylinder with magnetic piston
- Can be operated with dry air; air lubrication extends cylinder life
- Operating air pressure range 2-6 bar
- One piece body base to maintain alignment
- Precision ground piston rods
- See "Accessories" for other items

Model #	Dimensions (in.)										Holding Force	Weight
	A	B	C	D	E	F	ØG	S	I	H		
P600X	12 3/4	2 1/2	1 1/8	1	1 1/8	1 1/8	7/32	3/32	M16x150	G 1/2	4400lbs	22lb 10oz
P1200X	17 1/2	3	2 3/32	5/16	1 1/8	3	2 3/64	1 1/4	M10x40	G 1/2	2640lbs	8lb 4oz
P2500X	22 23/32	3 23/32	4 1/2	7/8	1 25/32	2 1/2	1 3/32	1 1/2	M12x60	G 1/2	5500lbs	16lb 4oz

Heavy-Duty Pneumatic Vertical Toggle Clamps

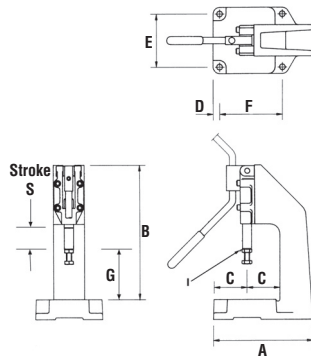
BRAUER



- For use in arduous environments
- Adjustable arm types as standard
- All leading pneumatic cylinders including SMC, ASCO Joucomatic and Festo can be fitted
- Heavy duty extremely high holding forces
- See "Accessories" for other items

Model #	Dimensions (in.)									Holding Force	Weight
	A	B	C	D	E	F	G	H	I		
VA300BX	9.0	2 25/32	4.0	1 1/4	1/4	2 3/32	1.26	G 1/2	M6x50	550-770lbs	4lb 13oz
VA700CX	9 9/16	3 13/32	2 3/32	3.0	3 1/32	3 1/32	1.97	G 1/2	M12x100	1540lbs	9lb 14oz
VA1200CX	12 3/8	3 13/32	2 3/32	3 1/32	1 1/4	3 25/32	2.36	G 1/2	M2x100	2640lbs	12lb 10oz
VA2400CX	17	3 13/32	4 1/2	3 3/8	7/8	3 25/32	3.0	G 1/2	M16x150	5280lbs	19lb

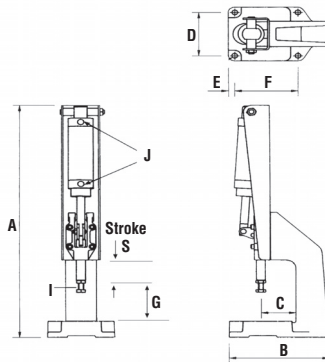
Manual Operation Toggle Presses



- A comprehensive range of manual presses suitable for a variety of applications
- The generation of high forces towards the end of their stroke make these presses suitable for work such as swaging, press fitting, riveting, piercing and punching.
- All frames are manufactured from machined SG iron casting for consistent quality and durability.
- Replaceable operating mechanisms
- See "Accessories" for other items

Model #	Dimensions (in.)									Holding Force	Weight
	A	B	C	D	E	F	G	S	I		
P600PR	6	8	1 ³ / ₂	1 ³ / ₂	3 ³ / ₂	3 ³ / ₄	2 ¹ / ₁₆	1 ¹ / ₄	M8x30	1322lbs	7lb 9oz
P1200PR	7 ¹ / ₁₆	11 ¹ / ₂	2 ¹ / ₂	1 ¹ / ₂	3 ³ / ₄	4 ¹ / ₁₆	3 ¹ / ₁₆	1 ³ / ₂	M8x30	2643lbs	16lb 2oz
P2500PR	9 ¹ / ₁₆	16 ¹ / ₁₆	3	1 ¹ / ₂	4 ⁹ / ₁₆	5 ⁵ / ₁₆	4 ² / ₂	2 ¹ / ₁₆	M12x60	5507lbs	34lb
TPR1	6 ¹ / ₂	13 ¹ / ₄	1 ¹ / ₄ - 2 ¹ / ₄	-	3 ³ / ₂	-	1 ¹ / ₁₆ - 5 ¹ / ₁₆	1 ¹ / ₁₆	xx	1124lbf	20lb
TPR2	8 ¹ / ₁₆	19 ³ / ₂	2 ² / ₂ - 3 ¹ / ₂	-	5 ¹ / ₁₆	-	1 ¹ / ₁₆ - 6 ¹ / ₁₆	1 ¹ / ₁₆	xx	1686lbf	42lb
TPR3	11 ¹ / ₁₆	19 ¹ / ₂	2 ² / ₂ - 4 ¹ / ₂	-	5 ¹ / ₁₆	-	1 ¹ / ₂ - 4 ¹ / ₁₆	1 ¹ / ₁₆	xx	3150lbf	86lb

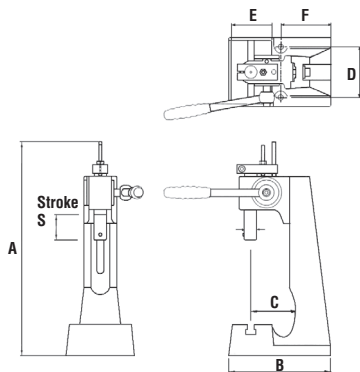
Pneumatic Operation Toggle Presses



- A comprehensive range of pneumatically operated presses suitable for a variety of applications
- The generation of high forces towards the end of their stroke make these presses suitable for work such as swaging, press fitting, riveting, piercing and punching.
- All frames are manufactured from machined SG iron casting for consistent quality and durability.
- Cylinders can run on unlubricated air supplies
- Precision ground cylinder rods for accuracy
- See "Accessories" for other items

Model #	Dimensions (in.)									Holding Force	Weight	
	A	B	C	D	E	F	G	J	S			I
P600XPR	17	17	2 ⁵ / ₁₆	3 ³ / ₂	2 ⁵ / ₁₆	3 ³ / ₄	2 ¹ / ₁₆	G ¹ / ₂	3 ¹ / ₂	M8x30	1320lbs	11lb 8oz
P1200XPR	22 ¹ / ₂	22 ¹ / ₁₆	2 ¹ / ₂	3 ¹ / ₄	1 ¹ / ₂	4 ¹ / ₂	3 ¹ / ₁₆	G ¹ / ₄	1 ¹ / ₄	M10x40	2640lbs	21lb
P2500XPR	29 ¹ / ₂	29 ¹ / ₁₀₀	3 ¹ / ₄	4 ⁹ / ₁₆	1 ¹ / ₂	5 ⁵ / ₁₆	4 ² / ₂	G ¹ / ₄	1 ³ / ₂	M12x60	5500lbs	42lb

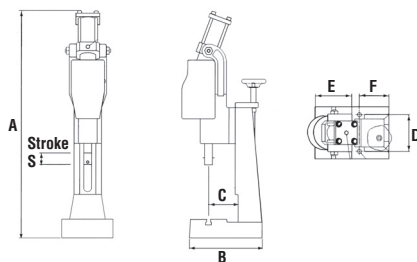
Rack and Pinion Presses



- Very high precision press
- A comprehensive range suitable for a variety of applications
- The generation of high forces towards the end of their stroke make these presses suitable for work such as swaging, press fitting, riveting, embossing and glueing.
- All frames are manufactured from machined SG iron casting for consistent quality and durability.
- See "Accessories" for other items

Model #	Dimensions (in.)							Weight
	A	B	C	D	E	F	S	
RPP1	13 ³ / ₁₆	6 ¹ / ₂	2 ² / ₂	3 ¹ / ₄	3 ¹ / ₂	3 ¹ / ₁₆	1 ¹ / ₁₆	19lbs
RPP2	18 ³ / ₁₆	8 ² / ₂	3 ¹ / ₂	4 ¹ / ₄	4 ¹ / ₁₆	3 ¹ / ₂	1 ¹ / ₁₆	46lbs

Pneumatic Operation Toggle Presses



- A comprehensive range suitable for a variety of applications
- The generation of high forces towards the end of their stroke make these presses suitable for work such as swaging, press fitting, riveting, embossing and glueing.
- All frames are manufactured from machined SG iron casting for consistent quality and durability.
- See "Accessories" for other items

Model #	Dimensions (in.)							Weight
	A	B	C	D	E	F	S	
PNPR1	27 ¹ / ₁₆	8 ¹ / ₂	3 ¹ / ₂	4 ¹ / ₄	4 ⁵ / ₁₆	3 ¹ / ₂	1 ¹ / ₁₆	49lbs
PNPD1	24 ¹ / ₁₆	8 ¹ / ₂	3 ¹ / ₂	4 ¹ / ₄	4 ⁵ / ₁₆	3 ¹ / ₂	1 ¹ / ₁₆	41lbs



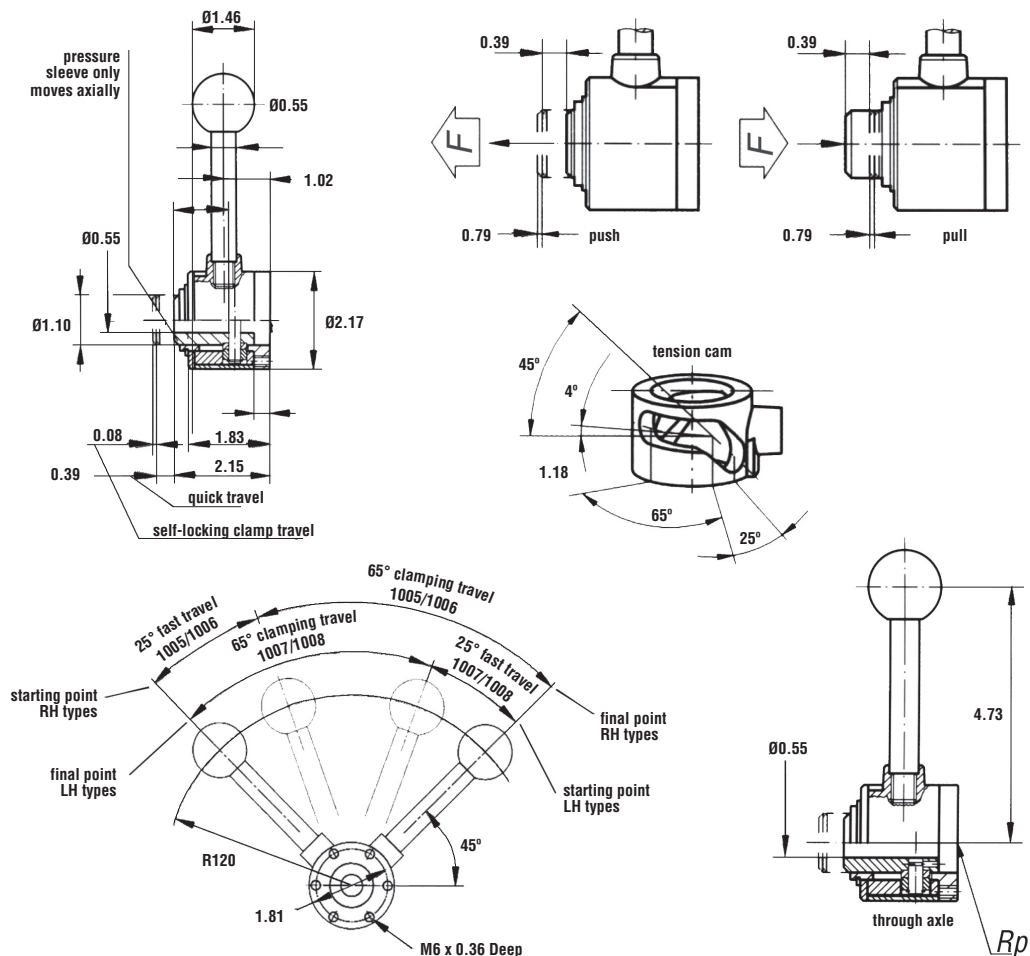
Kit Number Used	Clamp Model
SK/1	V75X
SK/2	V150X
SK/3	V250X, P600X
SK/4	V450X, P1200X
SK/5	P2500X
SK/6	V750X, V1750X
SK/7	PNS20-10A, PNS20-10C
SK/8	PNS32-10A, PNS32-10C, PNS40-20A, PNS40-20C, PNS50-20A, PNS50-20C, PNS63-20A, PNS63-20C
SK/9	V2000X
SK/10	VA3000BX, VA700CX, VA1200CX, VA2400CX

Note: Each SK Kit includes 2 individual sensors

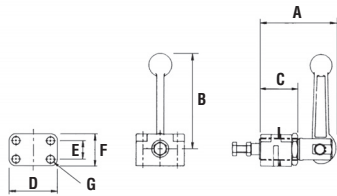
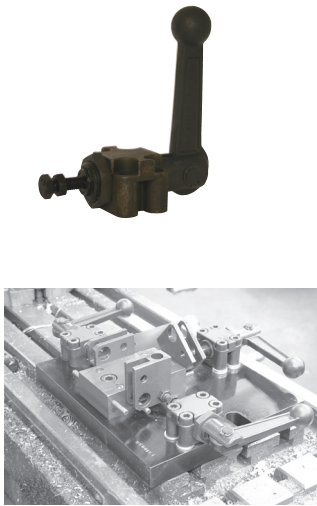
Model #	Nominal Holding Force (lbs)	Weight (lbs)	Version
CP1005	1100	1.76	RH/PUSH
CP1006	1100	1.76	RH/PULL
CP1007	1100	1.76	LH/PUSH
CP1008	1100	1.76	LH/PULL

RH = Right hand LH = Left hand

- Cam operated
- Right hand push
- Rear mounted
- See "Accessories" for other items



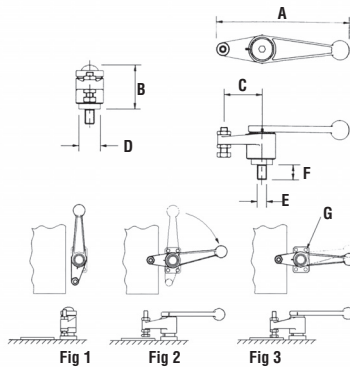
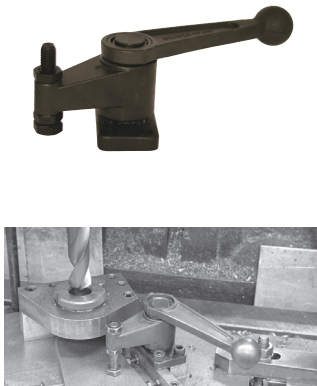
Heavy-Duty Cam Push Clamps



- Cam push clamps are of rugged build quality, ideal for machine shops where vibration may be an issue
- Unique, patented range of cam clamps
- Significant cost benefits over Hydraulic clamps in repetitive machining
- A fraction of the cost of hydraulic workholding
- Very high holding forces
- See "Accessories" for other items

Model #	Dimensions (in.)								Holding Force	Weight
	A	B	C	D	E	F	ØG	I		
CP1500	2 ³³ / ₆₄	3 ¹ / ₂	1 ¹⁷ / ₆₄	1 ¹⁷ / ₃₂	1 ¹⁹ / ₃₂	6 ³ / ₆₄	1/4	M6x19	1320lbs	0.6lbs
CP2000	3 ⁵ / ₁₆	4 ¹ / ₁₆	1 ³⁹ / ₆₄	1 ³¹ / ₃₂	2 ²⁵ / ₃₂	1 ¹¹ / ₃₂	2 ¹ / ₆₄	M8x25	1430lbs	1.3lbs
CP3000	3 ²⁵ / ₃₂	5 ³³ / ₆₄	2 ¹ / ₆₄	2 ⁴⁵ / ₆₄	6 ³ / ₆₄	1 ¹¹ / ₁₆	1 ¹³ / ₃₂	M12x35	1430lbs	3.4lbs
CP1500L	1 ³¹ / ₃₂	6 ⁴⁹ / ₆₄	1 ¹⁷ / ₆₄	1 ¹⁷ / ₃₂	1 ¹⁹ / ₃₂	1 ¹ / ₂	1/4	M6x19	3300lbs	0.8lbs
CP2000L	2 ¹⁹ / ₃₂	8 ³¹ / ₃₂	1 ³⁹ / ₆₄	1 ³¹ / ₃₂	2 ²⁵ / ₃₂	1 ¹ / ₂	2 ³ / ₆₄	M8x25	3740lbs	1.7lbs
CP3000L	3 ²⁵ / ₃₂	12 ¹ / ₂	2 ¹ / ₆₄	2 ⁴⁵ / ₆₄	6 ³ / ₆₄	1 ¹¹ / ₁₆	1 ¹³ / ₃₂	M12x35	4400lbs	4.4lbs

Heavy-Duty Cam Swing Clamps

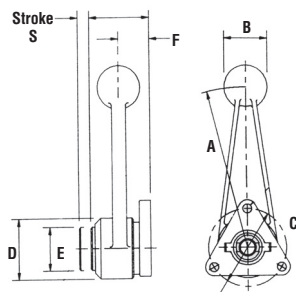


- Cam swing clamps are of rugged build quality, ideal for machine shops where vibration may be an issue
- Cam swing clamps show significant cost benefits over more expensive hydraulic and strap clamping
- Out-put holding forces same as hydraulic clamping
- Ideal for vibratory machine clamping
- High output force cam mechanism
- See "Accessories" for other items

Model #	Dimensions (in.)							Holding Force	Weight
	A	B	C	D	E	F	ØG		
CS300*	4 ³ / ₈	1 ¹ / ₂	1 ¹⁷ / ₆₄	4 ⁵ / ₆₄	3 ³ / ₈	2 ²⁵ / ₆₄	—	660lbs	0.4lbs
CS800*	6	2 ¹ / ₈	1 ¹ / ₈	1 ¹ / ₆₄	—	—	1/4	1760lbs	0.9lbs
CS1200*	7 ¹ / ₂	3 ³ / ₃₂	2 ¹ / ₆₄	1 ²⁹ / ₆₄	—	—	2 ¹ / ₆₄	2640lbs	2lbs

*Above models are clockwise version.
To order anti-clockwise version add suffix A to order code.

Heavy-Duty Cam Ram Clamps



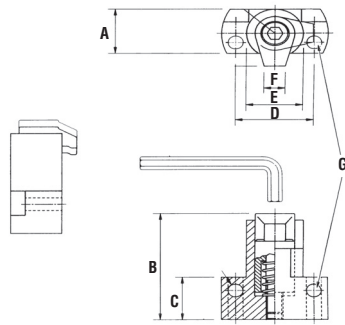
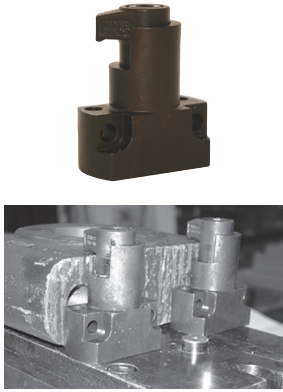
- Unique, patented range of cam clamps
- Rugged build quality, ideal for machine shops
- Significant cost benefits over strap clamps in repetitive machining
- A fraction of the cost of hydraulic workholding
- Very high holding forces
- See "Accessories" for other items

Model #	Dimensions (in.)							Holding Force	Weight
	A	B	C	D	E	F	S		
CR4000*	4 ²¹ / ₆₄	1 ³⁹ / ₆₄	3/4	1 ² / ₃₂	1 ¹ / ₁₆	5 ⁵ / ₆₄	0.25/0.08	8800lbs	1.21lbs
CR5000*	5 ²³ / ₆₄	2 ¹ / ₄	3/2	2 ¹³ / ₆₄	1 ²¹ / ₃₂	1 ¹ / ₆₄	0.32/0.10	11000lbs	2.9lbs

*Above models are clockwise version. To order anti-clockwise version add suffix A to order code.

Heavy-Duty Hex Key Clamps

BRAUER

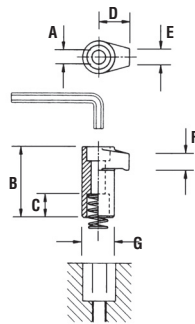


- Bolt body housing onto fixture, key down swing bolt onto work piece
- Ideal for vibratory clamping such as CNC clamping
- The 1016 series of swing clamp assemblies comprises complete assemblies of clamping arm, clamping bolt, return spring and housing, ready for bolting to a fixture ideal for heavy dutymachining applications.
- See "Accessories" for other items

Model #	Dimensions (in.)							Holding Force	Weight
	A	B	C	D	E	F	ØG		
1016-08	1½	2¼	1	1½	1½	2⅝	¼	3960lbs	12oz
1016-10	1½	2⅝	1⅜	1⅝	1½	2⅝	2⅜	4400lbs	1lb 2oz
1016-12	1⅞	3⅜	1¾	2⅞	1¾	2⅝	1½	5500lbs	1lb 12oz
1016-16	2⅝	4⅜	1¾	2⅞	1¾	2⅝	1½	6600lbs	3lb 8oz

Swing Clamps

BRAUER

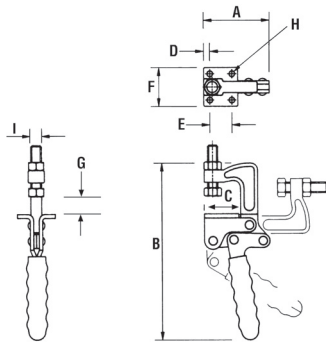


- Ideal for vibratory area clamping such as CNC tooling
- The 1015 series of swing clamp can be used with the 1016 housing assemblies ideal for m/c shops and heavy duty machining applications.

Model #	Dimensions (in.)							Holding Force	Weight
	A	B	C	D	E	F	G		
1015-08	⅝	1¼	1⅜	1¼	¾	1⅜	0.784	3960lbs	3oz
1015-10	1⅜	2⅝	2⅜	1	1⅜	1⅜	0.941	4400lbs	6oz
1015-12	1½	2⅞	1	1¼	¾	1⅜	1.098	5500lbs	8oz
1015-16	2⅜	3⅞	1⅜	1⅜	1⅜	1⅜	1.335	6600lbs	1lb

Pull Back Clamp

BRAUER

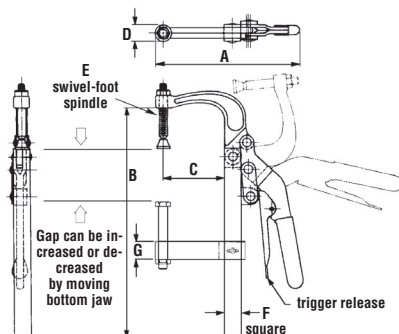


- Zinc plated and passivated steel
- Stainless steel rivets
- Unique action similar to a wide-opening locking plier
- Comfortable, cushioned PVC grip
- Complete with mounting base
- See "Accessories" for other items

Model #	Dimensions (in.)									Holding Force	Weight
	A	B	C	D	E	F	G	ØH	I		
TC79	3	8¼	1¾	¾	1	1¼	1¼	1⅜	M12x50	793lbs	1lb 10z

Pull Back Clamp

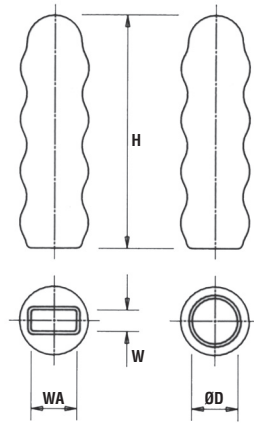
BRAUER



- Zinc plated and passivated steel
- Stainless steel rivets
- Unique action similar to a wide-opening locking plier
- Comfortable, cushioned PVC grip
- Complete with mounting base
- Bottom jaw included with clamp
- See "Accessories" for other items

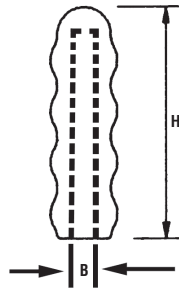
Model #	Dimensions (in.)							Holding Force	Weight
	A	B	C	D	E	F	G		
TC345	6%	10%	2⅞	1⅞	¾-16	¾	⅞	800lbs	2lb 7oz

Plastic Grips



Part #	To Fit Handles Dim's				Fits Clamp Model
	H	W	WA	ØD	
GR/01	1 1/4	5/32	5/16		H75, V75, CV75, V100, H100
GR/02	2 1/4	3/16	3/8		H150
GR/03	2 1/4	1/4	3/8		V150, LH200
GR/04	2 5/8	3/16	1/2		H200
GR/05	2 5/8	5/32	1/2		V200, P100
GR/06	3 11/32	1/4	19/32		V250, BR-H250, CV250, V300, LH400, P200, P350
GR/07	2 5/8	1/4	5/8		H300
GR/08	2 1/2	3/16	1/2		P250
GR/09	4 1/4	5/16	11/16		V350, CV350, H350, P400, P450, P550, TC79
GR/10	3 3/4	3/8	7/8		V450, H450, LH700
GR/11	4 23/32	3/8	1		V550
GR/12	4 1/4	5/16	3/4		H700
GR/13	4 17/32	5/16	7/8		P750
BR/1	2 1/4			3/8	P600L
BR/2	3			1/2	P1200L
BR/3	4			3/4	P2500L
B7	3 3/8			3/4	VA700, P5000L
B12	4			7/8	VA1200
B24	4			1	VA2400

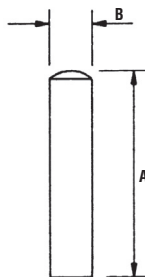
VA Series Accessories - Grip



- To fit appropriate handle

Model #	Dimensions (in.)	
	H	B
B3	2 1/8	15/32
B7	3 11/16	23/32
B12	3 29/32	27/32
B24	3 29/32	31/32

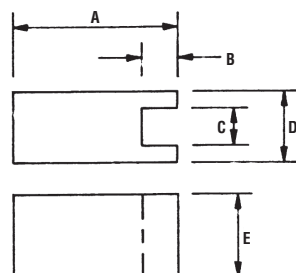
VA Series Accessories - Handle



- For welding to the desired clamp and at the desired position

Model #	Dimensions (in.)	
	A	ØB
A3	1 27/32	1/2
A7	3 17/32	5/8
A12	3 29/32	3/4
A24	3 29/32	1.00

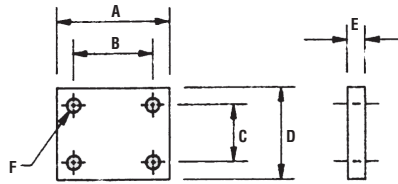
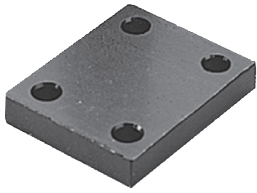
VA 'S' and 'T' Series Arm Accessory



- For extending the stub arm
- Can be drilled to accept fixture arms

Model #	Dimensions (in.)				
	A	B	C	D	E
C3	2 11/32	3/8	7/32	1 1/32	5/8
C7	2 7/32	5/16	3/8	29/32	31/32
C12	3 1/4	9/16	15/32	31/32	1 5/32
C24	3 29/32	9/16	5/8	9/16	1 7/32

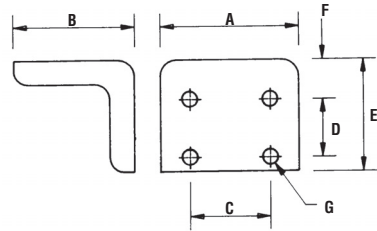
VA Series Base Accessory



• Heavy duty clamp base for welding to heavy duty mechanisms

Model #	Dimensions (in.)					
	A	B	C	D	E	ØF
D3	1 ¹⁵ / ₃₂	3 ¹ / ₃₂	1 ¹ / ₁₆	1 ¹ / ₃₂	3 ¹ / ₁₆	7 ¹ / ₃₂
D7	1 ¹⁵ / ₁₆	1 ³ / ₈	3 ¹ / ₃₂	1 ¹ / ₁₆	3 ¹ / ₁₆	1 ¹ / ₄
D12	2 ¹¹ / ₃₂	1 ³ / ₁₆	1 ¹ / ₃₂	1 ¹⁵ / ₁₆	3 ¹ / ₁₆	2 ¹ / ₆₄
D24	2 ¹ / ₄	1 ¹⁵ / ₁₆	1 ¹ / ₄	2 ¹⁷ / ₃₂	3 ¹ / ₁₆	2 ¹ / ₆₄

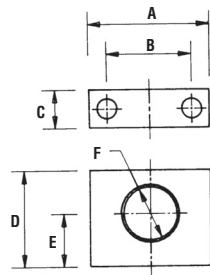
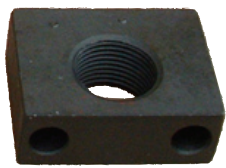
Front Mounting Brackets - Vertical and Horizontal Clamps



Model #	Dimensions (in.)						
	A	B	C	D	E	F	ØG
FM1	1 ¹¹ / ₁₆	1 ¹ / ₂	1 ¹ / ₁₆	1 ¹⁹ / ₃₂	1 ²⁹ / ₆₄	1 ¹⁷ / ₃₂	1 ¹ / ₆₄
FM2	2 ¹ / ₈	1 ³ / ₄	1	3 ¹ / ₄	1 ⁴¹ / ₆₄	1 ¹⁵ / ₃₂	1 ¹³ / ₆₄
FM3	3	2 ¹ / ₈	1 ³ / ₄	1 ¹ / ₄	2 ¹⁷ / ₁₆	1 ¹³ / ₁₆	2 ¹ / ₆₄

Part #	Fits Flanged Base Models
FM1	V75, V150, H75, CV75
FM2	V250, H150, H250, CV250
FM3	V350, V450, H350, H450, CV350

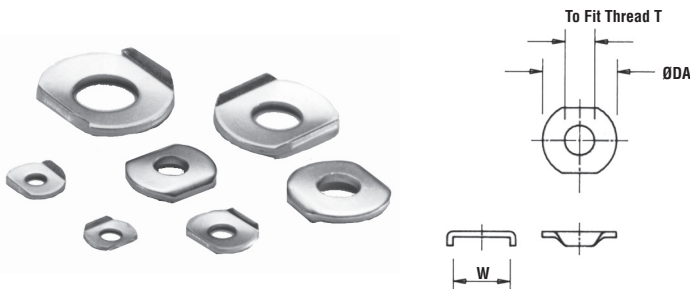
Mounting Brackets - Nose Mounting Push-Pull Clamps



Model #	Dimensions (in.)					
	A	B	C	D	E	F
FM16	1 ³ / ₈	6 ³ / ₆₄	3 ¹ / ₂	1 ¹ / ₁₆	1 ¹ / ₁₆	M16x1,5
FM20	1 ²⁵ / ₃₂	1 ¹ / ₄	3 ¹ / ₈	1 ¹ / ₈	2 ²⁹ / ₃₂	M20x1,5
FM24	1 ³¹ / ₃₂	1 ³ / ₈	3 ¹ / ₈	1 ¹⁷ / ₆₄	7 ¹ / ₈	M24x1,5

Part #	Fits Models
FM16	P100, P350
FM20	P200, P250, P550
FM24	P400, P450, P750

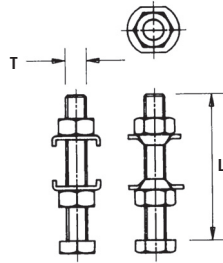
Flanged Washers



Part #	TH'D T	W	ØDA	Fits Clamp Models With B Type Arm
FW05/09	3 ¹ / ₁₆	1 ¹ / ₃₂	1 ¹ / ₂	H50
FW05/10	3 ¹ / ₁₆	2 ³ / ₆₄	1 ¹⁹ / ₃₂	H75, V75, V75X, V100
FW06/12	1 ¹ / ₂	1 ⁵ / ₃₂	1 ¹ / ₁₆	H150, V150, V150X, V200
FW08/15	5 ¹ / ₁₆	1 ⁹ / ₃₂	7 ¹ / ₈	H250, V250, V250X, V300
FW10/20	3 ¹ / ₈	2 ²⁹ / ₃₂	1	H350, V350
FW12/23	1 ¹ / ₂	2 ²⁹ / ₃₂	1 ¹ / ₄	H450, V450, V450X, H700
FW16/27	5 ¹ / ₈	1 ¹ / ₁₆	1 ³ / ₈	V550

Setscrews

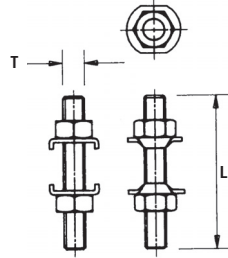
BRAUER



Part #	TH'D		Fits Models
	T	L	
MB0420	M4	0.8	P50
MB0520	M5	0.8	H50
MB0535	M5	1.40	V75, H75, V100, CV75, V75X
MB0625	M6	1.0	P100, P250, P350
MB0650	M6	2.0	V150, V200, H150, V150X
MB0840	M8	1.58	P200, P550, P600, P600L, P600X
MB0860	M8	2.37	V250, V300, CV250, H250, V250X
MB1050	M10	2.0	P400, P450, P750, P1200, P1200L, P1200X
MB1080	M10	3.15	V350, H350, CV350
MB1250	M12	2.0	P2500, P2500L, P2500X
MB12100	M12	4.0	V450, V450X, H450, H700, VA700, VA1200
MB1680	M16	3.15	P5000, P5000L
MB16150	M16	6.0	V550, VA2400

Plain Spindles

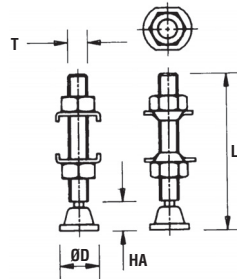
BRAUER



Part #	TH'D		Fits Models
	T	L	
M0525	M5	1.00	H50
M0535	M5	1.40	V75, H75, V100, CV75, V75X
M0650	M6	2.00	V150, V200, H150, P200, P250, P350
M0865	M8	2.56	V250, V300, CV250, P300, P550, P600, P600L, P600X
M1085,	M10	3.35	V350, CV350, H350, P400, P450, P750, P1200, P1200L, P1200X
M12100	M12	4.00	V450, VA700, VA1200, H450, H700, V450X
M16150,	M16	6.00	V550, VA2400

Swivel Foot Spindles

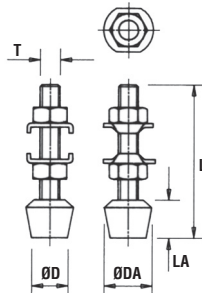
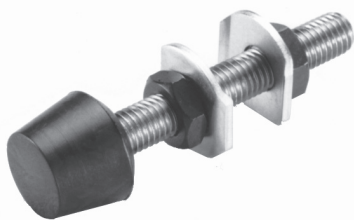
BRAUER



Part #	TH'D		ØD	HA	Fits Models
	T	L			
MS0535	M5	1.4	12	10	H75, V100, V75, V75X
MS0650	M6	2.0	12	10	V150, V200, H150, P200, P250, P350
MS0865	M8	2.56	20	13	V250, V300, CV250, P300, P550, P600, P600L, P600X
MS1085	M10	3.35	20	15	V350, CV350, H350, P400, P450, P750, P1200, P1200L, P1200X
MS12100	M12	4.0	25	20	V450, VA700, VA1200, H45C, H700, V450X
MS16150	M16	6.0	45	30	V550, VA2400

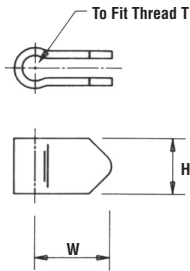
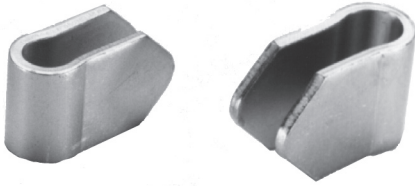
Neoprene Tipped Spindles

BRAUER



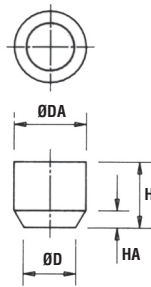
Part #	TH'D		LA	ØD	ØDA	Fits Clamp Model
	T	L				
NTS0432	M4	1.25				P50
NTS0538	M5	1.50	⅞	⅝	⅝	H50, V75, H75, V100, CV75, V75X
NTS0645	M6	1.75	½	⅝	⅝	V150, V200, H150, P200, P250, P350, V250, V300, CV250
NTS0865	M8	2.56	⅝	⅝	⅝	P300, P550, P600, P600L, P600X, V350, CV350
NTS1085	M10	3.34	¾	⅝	1⅞	H350, P400, P450, P750, P1200, P1200L, P1200X, V450, VA700
NTS12100	M12	4.00	1	1	1⅞	VA1200, H450, H700, V450X

Spindle Retainers - To Fit Spindles and Setscrews



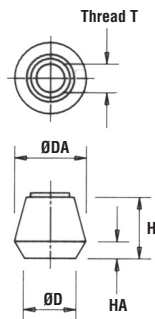
Part #	TH'D		W	Fits Clamp Models With Type A Arm
	T	H		
R/08	M8	1 ¹ / ₁₆	1 ⁹ / ₁₆	V250, H250, V300
R/10	M10	7 ⁸ / ₁₆	1 ¹ / ₁₆	V350, H350
R/12	M12	1 ¹ / ₂	1 ¹⁷ / ₆₄	V450, H450
R/16	M16	1 ¹ / ₄	1 ¹ / ₂	V550

Neoprene Setscrew Covers



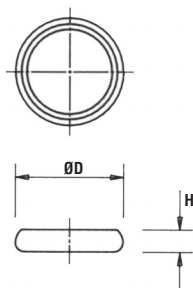
Part #	H	HA	ØD	ØDA	Fits Screw
NC/04	5 ¹ / ₁₆	5 ⁹ / ₃₂	5 ⁹ / ₃₂	7 ¹ / ₁₆	MB0420
NC/05	3 ⁸ / ₁₆	5 ⁹ / ₃₂	7 ¹ / ₁₆	1 ¹ / ₂	MB0525, MB0535
NC/06	1 ¹ / ₂	5 ⁹ / ₃₂	1 ¹ / ₂	1 ⁹ / ₃₂	MB0650
NC/08	1 ⁹ / ₃₂	1 ¹ / ₄	1 ¹ / ₂	3 ⁸ / ₁₆	MB0860
NC/10	1 ¹¹ / ₁₆	5 ⁹ / ₃₂	5 ⁸ / ₁₆	7 ⁸ / ₁₆	MB1080
NC/12	2 ⁵ / ₃₂	5 ⁹ / ₃₂	3 ⁸ / ₁₆	1 ¹ / ₂	MB1260, MB12100

Neoprene Pads - To Fit Plain Spindles



Part #	TH'D	H	HA	ØD	ØDA	Fits Spindle
	T					
NP/05	-	3 ⁸ / ₁₆	5 ⁹ / ₃₂	-	1 ¹ / ₂	M0525, M0535
NP/06	M6	1 ¹ / ₂	1 ⁸ / ₁₆	7 ¹ / ₁₆	5 ⁸ / ₁₆	M0650
NP/08	M8	1 ¹ / ₁₆	5 ⁹ / ₃₂	1 ⁹ / ₃₂	1 ⁹ / ₁₆	M0865
NP/10	M10	1	5 ⁹ / ₁₆	1 ¹ / ₁₆	1 ³ / ₁₆	M1085
NP/12	M12	1	5 ⁹ / ₁₆	1 ⁹ / ₁₆	1 ³ / ₁₆	M12100

Plastic Covers - To Fit Swivel Foot Spindles



Part #	ØD	H	Fits Spindle
NPS/05/06	5 ⁸ / ₁₆	1 ¹ / ₄	MS0535, MS0650
NPS/08/10	1 ⁵ / ₁₆	3 ⁸ / ₁₆	MS0865, MS1085
NPS/12	1 ³ / ₁₆	3 ⁸ / ₁₆	MS12100

INDEX

ACCESSORIES

Clamp Levers	29-30
Flanged Washers	26
Front Mounting Brackets	26
Mounting Brackets	26
Neoprene Setscrew Covers	28
Neoprene Spindle Pads	28
Neoprene Tipped Spindles	27
P Series Base Accessory	18
Plain Spindles	27
Plastic Grips	25
Plastic Spindle Covers	28
Setscrews	27
Spindles Retainers	28
Stroke Sensing Kit	22
Swivel Foot Spindles	27
VA S and T Series Arm Accessory	25
VA Series Base Accessory	26
VA Series Grip	25
VA Series Handle	25

BODY & PIN LOCATION CLAMPS

BC25.0	10
BC40.0	10
PC25.0	10
PC35.0	10
PC40.0	10

CAM PUSH/CAM PULL CLAMPS

CP1005	22
CP1006	22
CP1007	22
CP1008	22

HEAVY-DUTY CAM CLAMPS

CP1500	23
CP1500L	23
CP2000	23
CP2000L	23
CP3000	23
CP3000L	23
CR4000	23
CR5000	23
CS300	23
CS800	23
CS1200	23

HEAVY-DUTY CLAMP MECHANISMS

VA300S	11
VA3002S	11
VA300T	11
VA700S	11
VA700T	11
VA700TD	12
VA1200S	11
VA1200T	11
VA1200TD	12
VA2400S	11
VA2400T	11

HEAVY-DUTY & LONG HANDLED PUSH-PULL CLAMPS

P600	17
P600L	17
P1200	17
P1200L	17
P2500	17
P2500L	17

P5000	17
P5000L	17

HEAVY-DUTY PNEUMATIC TOGGLE CLAMPS

VA300BX	20
VA700CX	20
VA1200CX	20
VA2400CX	20

HEAVY-DUTY VERTICAL CLAMPS

VA300/1B	12
VA300/2B	12
VA300/2BT	11
VA700/1A	13
VA700/2C	13
VA1200/1A	13
VA1200/2C	13
VA2400/1A	13
VA2400/2C	13

HOOK CLAMPS

LH200, LH200SS	16
LH400, LH400SS	16
LH700, LH700SS	16

HORIZONTAL CLAMPS

H50/1B	14
H50/2B, H50/2BSS	14
H50/2C	15
H75/1B, H75/1BSS	14
H75/2B, H75/2BSS	14
H75/1C	15
H75/2C	15
H100/2B	14
H150/1B, H150/1BSS	14
H150/2B, H150/2BSS	14
H150/1C	15
H150/2C	15
H200/2B	14
H250/1A	13
H250/1AL	13
H250/2A	14
H250/2AL	14
H250/1B	14
H250/2B	14
H300/2B	14
H350/1A	13
H350/2A	14
H350/1B	14
H350/2B	14
H450/1A	13
H450/2A	14
H450/1B	14
H450/2B	14
H700	14

LATCH CLAMPS

LU200H, LU200HSS	16
LU200V, LU200VSS	16
LU400H, LU400HSS	16
LU400V, LU400VSS	16
LU700H, LU700HSS	16
LU700V, LU700VSS	16
LU2000H	16
LU4000H	16

PNEUMATIC POWER CLAMPS

BPC 25	19
BPC 32	19

PNEUMATIC SWING CLAMPS

PNS32-10A	20
PNS32-10C	20
PNS40-20A	20
PNS40-20C	20
PNS50-20A	20
PNS50-20C	20
PNS63-20A	20
PNS63-20C	20

PNEUMATIC VERTICAL & PUSH-PULL CLAMPS

P600X	20
P1200X	20
P2500X	20
V75X	20
V150X	20
V250X	20
V450X	20

PNEUMATIC VERTICAL SLIM-LINE TOGGLE CLAMPS

V100VX	19
V200VX	19
V300VX	19

POSITIVE LOCKING CLAMPS

H350/1BLC	15
H350/2BLC	15
V250/1BLC	9
V250/2BLC	9
V250/3BLC	9
V350/1BLC	9
V350/2BLC	9

PULL-BACK CLAMPS

TC79	24
TC345	24

PUSH-PULL CLAMPS

P50, P50SS	17
P100, P100SS	17
P200, P200SS	17
P250	17
P350	17
P400, P400SS	17
P450	17
P550	17
P750	17
P1150	17
P1150L	17
P2250	18
P2250L	18
SP700	18

SWING CLAMPS & SWING CLAMP ASSEMBLIES

1015-08	24
1015-10	24
1015-12	24
1015-16	24
1016-08	24
1016-10	24
1016-12	24
1016-16	24

TOGGLE PRESSES

P600PR	21
P1200PR	21
P2500PR	21
P600XPR	21

P1200XPR	21
P2500XPR	21
PNPR1	21
PNDP1	21
RPP1	21
RPP2	21
TPR1	21
TPR2	21
TPR3	21

VERTICAL CAM CLAMPS

CV75	8
CV250	8
CV350	8

VERTICAL CLAMPS

V70/2BT, V70/2BTSS	9
V75/1B	6
V75/2B, V75/2BSS	7
V100/1B	6
V100/1C	6
V100/2B	7
V100/2C	7
V100/3B	8
V100/3C	8
V150/1B, V150/1BSS	6
V150/1BL	6
V150/1C	6
V150/2B, V150/2BSS	7
V150/2BL	7
V150/2C	7
V200/1B	6
V200/1C	6
V200/2B	7
V200/2C	7
V200/3B	8
V200/3C	8
V250/1A	6
V250/1AL	6
V250/1B, V250/1BSS	6
V250/1C	6
V250/2A	7
V250/2AL	7
V250/2B, V250/2BSS	7
V250/2C	7
V300/1A	6
V300/1B	6
V300/1C	6
V300/3A	8
V300/3B	8
V300/3C	8
V350/1A	6
V350/1B	6
V350/1C	6
V350/2A	7
V350/2B	7
V350/2C	7
V450/1A	6
V450/1B	6
V450/1C	6
V450/2A	7
V450/2B	7
V450/2C	7
V550/1A	6
V550/1B	6
V550/1C	6
V550/2A	7
V550/2B	7
V550/2C	7

BRAUER[®]

Manufacturers of **WHEELS AND CASTORS**

See our web site for the full product range, including stainless steel models.

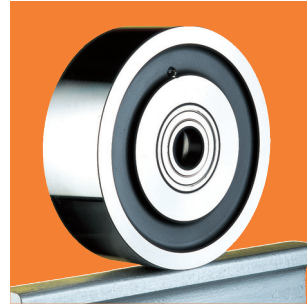
WG Series



Special Pivoting Castors



Steel Flat Tread Rail Wheels



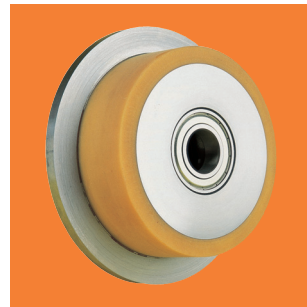
Polyurethane Press-on Band Tyred Wheels



Polyurethane Tyred Wheels



Polyurethane Tyred Single Flanged Rail Wheels



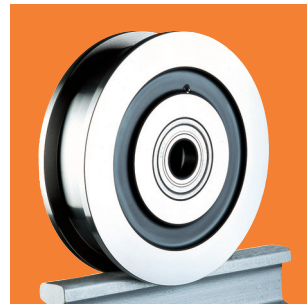
Steel Single Flanged Rail Wheel



Single Flanged 'I' Beam & Channel Wheels



Steel Double Flanged Rail Wheels



For further details contact

BRAUER[®]

TEL: 586 427 5304 FAX: 586 427 5305

E-mail: sales@brauerclampsusa.com Web: www.brauerclampsusa.com

BRAUER®

Manufacturers of AIRMOVERS

See our web site for the full product range, including stainless steel models.



MATERIALS: Zinc Alloy
I.D. 10mm **WEIGHT:** 0.100Kg
STANDARD GAP: 0.05mm



MATERIALS: Zinc Alloy & Alumin.
I.D. 35mm **WEIGHT:** 0.19Kg
STANDARD GAP: 0.05mm



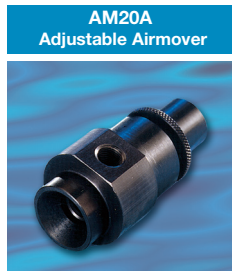
MATERIALS: Zinc Alloy
WEIGHT: 0.9Kg
STANDARD GAP: 0.05mm



MATERIALS: Zinc Alloy
WEIGHT: 2.7Kg
STANDARD GAP: 0.05mm



MATERIALS: Aluminium Alloy
I.D. 125mm **WEIGHT:** 7.55Kg
STANDARD GAP: 0.15mm



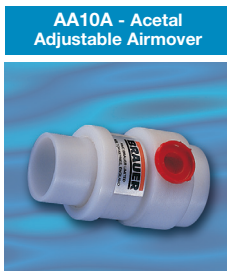
MATERIALS: Aluminium Alloy
I.D. 20mm **WEIGHT:** 0.13Kg
STANDARD GAP: Adjustable



MATERIALS: Aluminium Alloy
I.D. 35mm **WEIGHT:** 0.28Kg
STANDARD GAP: Adjustable



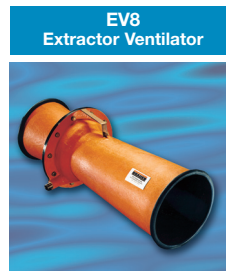
MATERIALS: Stainless Steel
I.D. 10mm **WEIGHT:** 0.13Kg
STANDARD GAP: Adjustable



MATERIALS: Acetal Copolymer
I.D. 10mm **WEIGHT:** 0.05Kg
STANDARD GAP: Adjustable



MATERIALS: Aluminium & S.steel
STANDARD GAP: 0.05mm
DBA at: 5.5 bar is 80



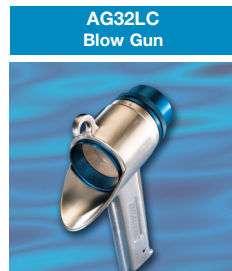
MATERIALS: GRP
WEIGHT: 7Kg
DBA at: 5.5 bar is 75



MATERIALS: Stainless Steel/Nylon
WEIGHT: 1.6Kg
DBA at: 5.5 bar is 92



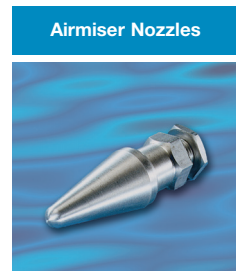
MATERIALS: Stainless Steel
WEIGHT: 1.7Kg
DBA at: 5.5 bar is 80



MATERIALS: Aluminium alloy
WEIGHT: 0.54Kg
STANDARD GAP: Adjustable



MAT.: Alumin./Zinc plated steel
WEIGHT: 0.3Kg
STANDARD GAP: 0.05-0.10mm



MATERIALS: Aluminium alloy
WEIGHT: 0.025Kg
STANDARD GAP: 0.15

For further details contact

BRAUER®

TEL: 586 427 5304 FAX: 586 427 5305

E-mail: sales@brauerclampsusa.com Web: www.brauerclampsusa.com

OTHER **BRAUER**® PRODUCTS

BRAUER®
HMC

WHEELS AND CASTORS

HMC BRAUER - WHEELS AND CASTORS

www.brauer.co.uk

BRAUER®

**AIRMOVERS
(AIR AMPLIFIERS)**

ES EN 9001:2000

BRAUER®

MACHINE ACCESSORIES

www.brauer.co.uk

BRAUER®

TOOLING COMPONENTS

www.brauer.co.uk

To request one of the above catalogues please contact

BRAUER®

TEL: 586 427 5304 FAX: 586 427 5305
E-mail: sales@brauerclampsusa.com
Web: www.brauerclampsusa.com

Authorised Dealer stamp